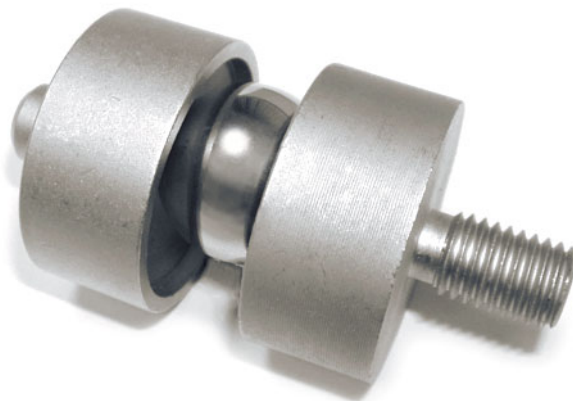
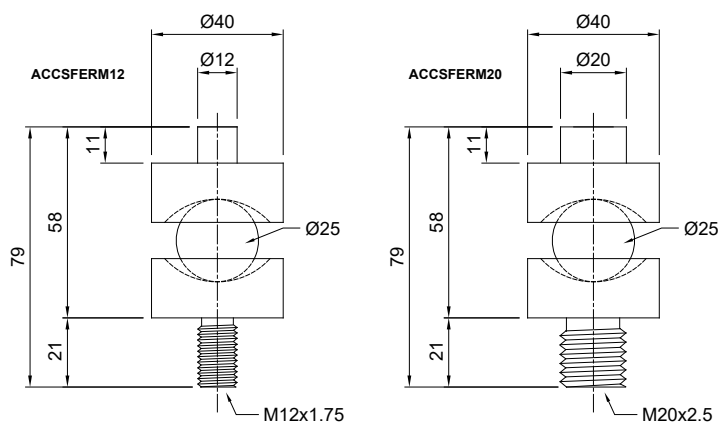


Up to 5000 kg application range



MAX STATIC LOAD kg	FOR LOAD CELLS	DIMENSIONS	NET WEIGHT (kg)	CODE
2000	FTL - FTK - FT-P - FTKL FTZ - FTP - CLS	M12x1.75	0.3	ACCSFERM12
5000	FTK - FTKL - FTZ (5000 kg) FTP (3000-5000 kg) - CLS (5000 kg)	M20x2.5	0.4	ACCSFERM20

### DIMENSIONS AND APPLICATION

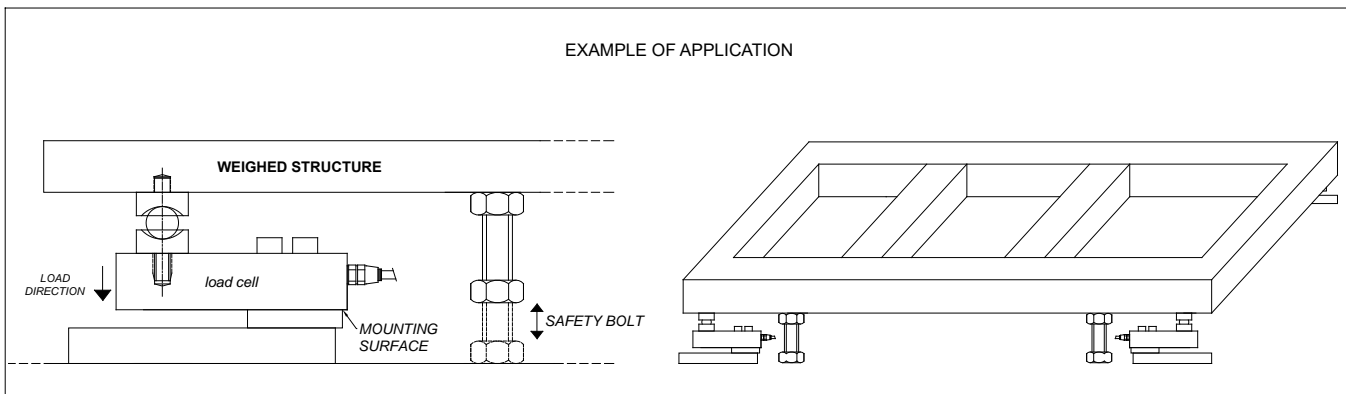


### DESCRIPTION

- Stainless steel accessory with ball to compensate for misalignment of the support plates.



### EXAMPLE OF APPLICATION



The Company reserves the right to make changes to the technical data, drawings and images without notice.