

# AF

## SINGLE-POINT LOAD CELL for platforms 150x150 mm

# LAUMAS®



Manufactured according to OIML R60 standards

### Capacity from 5 kg to 50 kg



- AISI 420 STAINLESS STEEL
- COMBINED ERROR  $\leq \pm 0.05\%$
- PROTECTION CLASS IP65

CAPACITY	kg	PLATFORM (mm)	NET WEIGHT (kg)	CODE
	5	150 x 150	0.13	AF5
	15	150 x 150	0.13	AF15
	50	150 x 150	0.13	AF50

### CERTIFICATIONS



Complies with the Eurasian Customs Union standards



Equivalent of the CE marking for the United Kingdom

CERTIFICATIONS ON REQUEST



ATEX II 1GD (zone 0-1-2-20-21-22) (CE - UK CA)



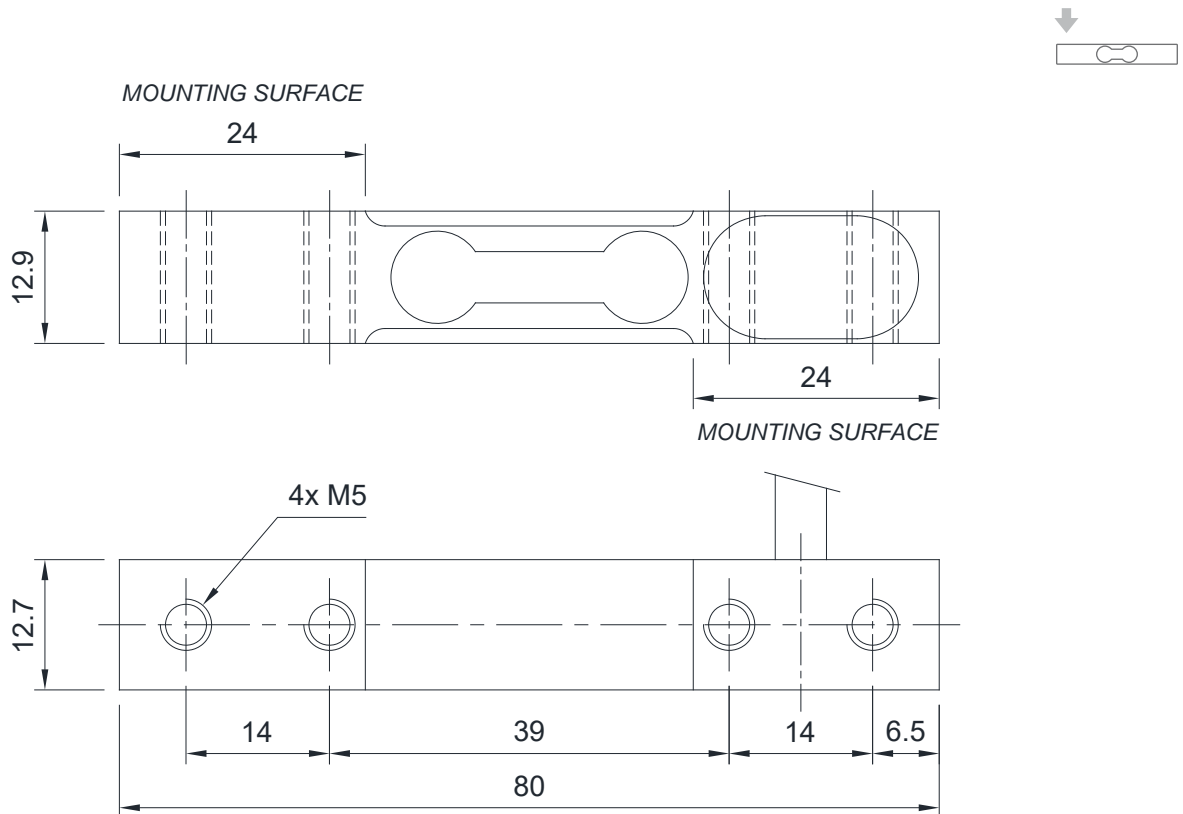
IECEX (zone 0-1-2-20-21-22)



Complies with the Eurasian Customs Union standards for use in potentially explosive atmospheres

Rev. 0.0

### DIMENSIONS (mm)



### TECHNICAL FEATURES

Material	AISI 420 stainless steel		
Nominal load (E max)	5 - 15 - 50 kg		
Combined error	≤ ±0.05%		
Protection class	IP65		
Rated output	3 mV/V ±10%	Input resistance	410 Ω ±40
Temperature effect on zero	0.005% °C	Output resistance	350 Ω ±5
Temperature effect on span	0.005% °C	Zero balance	±2%
Compensated temperature range	-10 °C / +40 °C	Insulation resistance	>2000 MΩ
Operating temperature range	-20 °C / +60 °C	Safe overload (% of full scale)	150%
Creep at nominal load in 30 minutes	0.05%	Ultimate overload (% of full scale)	200%
Max supply voltage without damage	10 V	Deflection at nominal load	0.5 mm

### ELECTRICAL CONNECTIONS

Cable length	3 m
Cable diameter	4 mm
Cores	4 x 0.20 mm <sup>2</sup>

