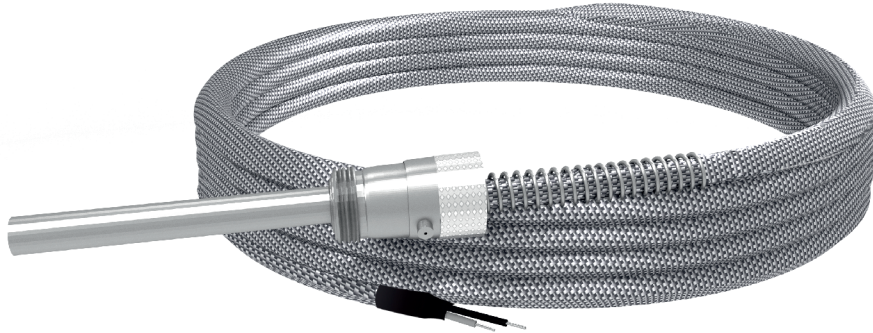


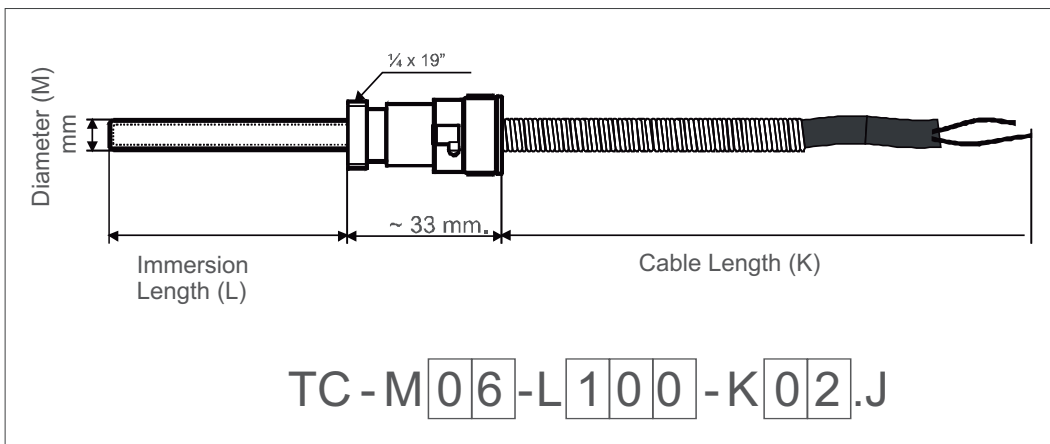
► (TC) Standard Bayonet Type

TC-M06-L100-K02.J

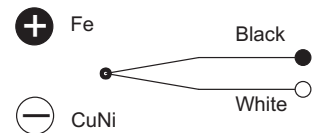


- Max. operating temperature : -50 °C / +400 °C
- Standard cable types : Fiber glass + fiber glass + braided wire
- Sensor type : DIN/IEC-584 "J" FeCu-Ni E=J
- Protection tube material : AISI304 (DIN1.4301) Stainless Steel
- Connector : Standard 1/4 x 19"

► Technical drawing



Thermoelement Connections



- Diameter (M) : 6 mm
- Immersion Length (L) : 100 mm
- Cable length (K) : 2 meter