

# Direct-On-Line Starters



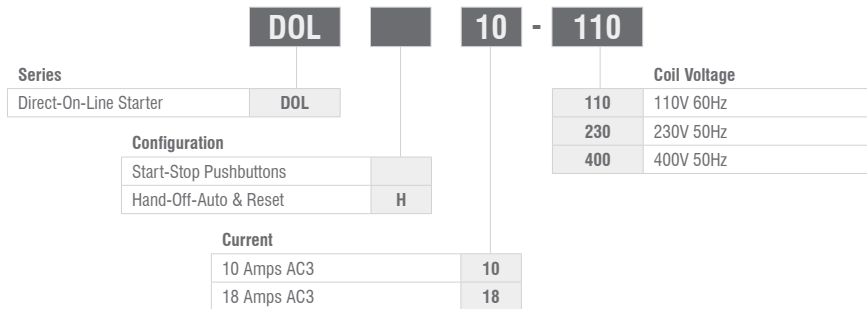
Technical Datasheet

## Key Features

- Up to 7.5kW
- IP65 Rated Enclosure
- Start-Stop Pushbuttons
- Hand-Off-Auto Selector
- Wired to Accept Overload
- M20 x 1.5 conduit knockouts
- 180mm x 110mm x 101mm



## Options & Ordering Codes



## Technical Specifications

| Part Number                    |                  | DOL10*   | DOL18*                |  |
|--------------------------------|------------------|--|-----------------------|--|
| Contactor                      |                  | MC10N-S-10*                                    | MC18N-S-18*           |  |
| Overload (sold separately)     |                  | U12/16E...-MC                                  | U12/16E...-MC         |  |
| Max. Frequency of Operation    |                  | 15/hour  |                       |  |
| Max. Temperature               |                  | 40°C   |                       |  |
| Ratings AC3 at 400V            | Amps             | 10   | 18                    |  |
|                                | kW               | 4  | 7.5                   |  |
|                                | HP               | 6  | 11                    |  |
| Protection Rating (DOL & DOLH) |                  | IP65   | IP65                  |  |
| Coil                           | Inrush           | VA   |                       |  |
|                                | Hold             | VA   |                       |  |
|                                | Voltage Range    | 0.85 - 1.1                                     |                       |  |
| Cable Cross Section            | Line             | Solid or Stranded mm <sup>2</sup>              | 0.75 - 4              |  |
|                                |                  | Flexible mm <sup>2</sup>                       | 0.75 - 2.5            |  |
|                                |                  | Flexible w/Multicore Cable End mm <sup>2</sup> | 0.5 - 2.5             |  |
|                                | Cables Per Clamp |  | 2                     |  |
|                                | Motor            | Solid or Stranded mm <sup>2</sup>              | 0.75 - 6 + 0.75 - 2   |  |
|                                |                  | Flexible mm <sup>2</sup>                       | 0.75 - 4 + 0.5 - 2.5  |  |
|                                |                  | Flexible w/Multicore Cable End mm <sup>2</sup> | 0.5 - 2.5 + 0.5 - 1.5 |  |
| Cables Per Clamp               |                  | 1 + 1  |                       |  |

Note: \* Indicates control/coil voltage

# Direct-On-Line Starters



## Product Selection Guide

Technical Datasheet

### Starter

| AC3 Rating at 400V |     |      | Description    | Product |
|--------------------|-----|------|----------------|---------|
| Amps               | kW  | HP   |                |         |
| 10                 | 4   | 6    | Start-Stop P/B | DOL10*  |
| 18                 | 7.5 | 11.5 | Start-Stop P/B | DOL18*  |
| 10                 | 4   | 6    | Hand-Off-Auto  | DOLH10* |
| 18                 | 7.5 | 11.5 | Hand-Off-Auto  | DOLH18* |

Note: \* Indicates control/coil voltage

Starters are wired to accept overload. Overloads are supplied separately (specify coil voltage)

### Overload

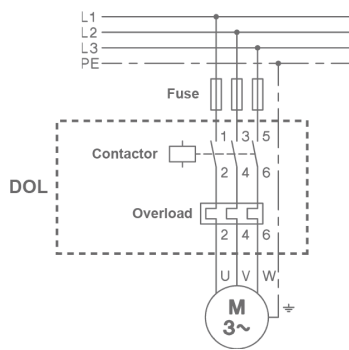
| Range Amps  | Product        | Range Amps  | Product       |
|-------------|----------------|-------------|---------------|
| 0.12 - 0.18 | U12/16E0.18-MC | 1.8 - 2.7   | U12/16E2.7-MC |
| 0.18 - 0.27 | U12/16E0.27-MC | 2.7 - 4.0   | U12/16E4-MC   |
| 0.27 - 0.4  | U12/16E0.4-MC  | 4.0 - 6.0   | U12/16E6-MC   |
| 0.4 - 0.6   | U12/16E0.6-MC  | 6.0 - 9.0   | U12/16E9-MC   |
| 0.6 - 0.9   | U12/16E0.9-MC  | 8.0 - 11.0  | U12/16E11-MC  |
| 0.8 - 1.2   | U12/16E1.2-MC  | 10.0 - 14.0 | U12/16E14-MC  |
| 1.2 - 1.8   | U12/16E1.8-MC  | 13 - 18     | U12/16E18-MC  |

### Accessories

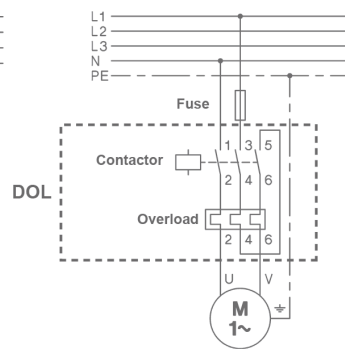
| Description                             | Product |
|---|---------|
| Normally Open (NO) Auxiliary - Max. 3   | MCA10   |
| Normally Closed (NC) Auxiliary - Max. 3 | MCA01   |

### Switching Circuit

#### Wiring Three Phase Motors

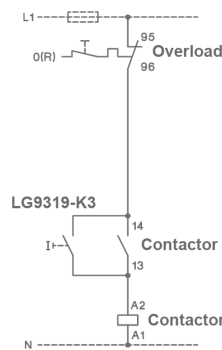


#### Wiring Single Phase Motors

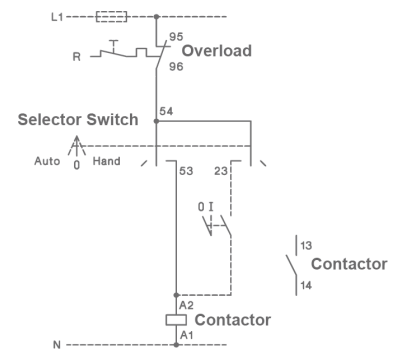


### Control Circuit

#### DOL10 / DOL18

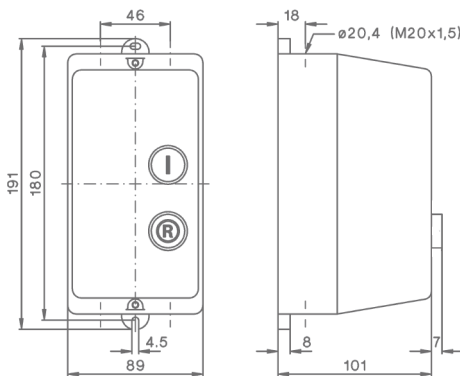


#### DOLH10 / DOLH18



### Dimensions (mm)

#### DOL10 / DOL18



#### DOLH10 / DOLH18

