



Position switch Extreme with safety function

ES 41 H/90° 1Ö/1S +180°C Extreme

Material number: 1171799 (Material number old: 41013908)

Features/Options:

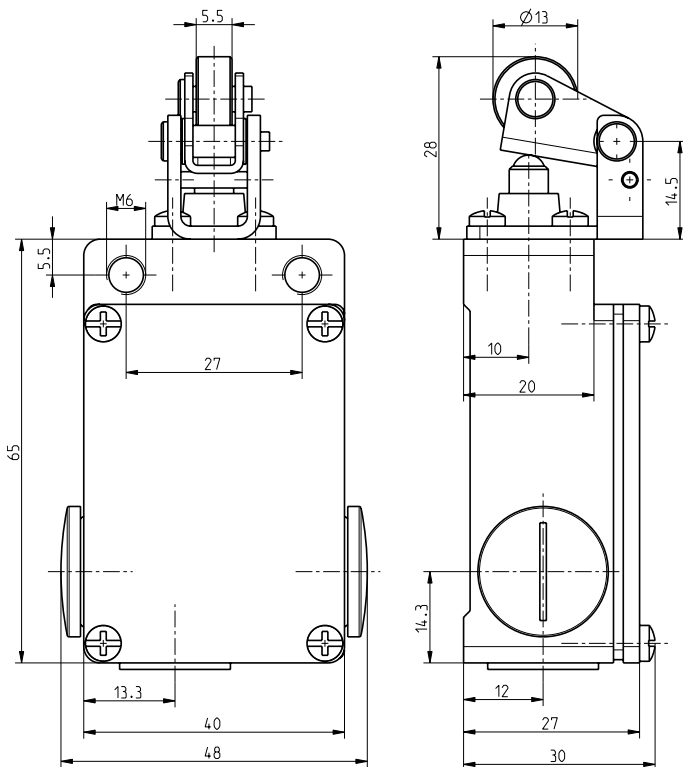
- Metal enclosure
- 2 contacts
- 3 cable entries M16 x 1.5
- Heat-resistant up to +180 °C
- Locking screws, brass nickel-plated
- Actuator: Roller lever H

- Actuating speed max. 0.5 m/s with a vertical actuating angle of $\alpha = 40^\circ$ and $\beta = 25^\circ$
- Metal roller
- Actuator can be repositioned by $4 \times 90^\circ$
- Attention: Please state required international approvals with your order!

Notes

- When used as safety switch, secure the enclosure against slipping with appropriate means, e.g. pinning.
- Actuation from the left should be avoided since this reduces the mechanical life of the position switch.

Dimensions



Technical data

| | |
|---|---|
| Applied standards | EN ISO 13849-1, EN 60947-5-1, EN ISO 14119 |
| Enclosure | aluminium die-cast, powder-coated |
| Cover | steel, powder-coated |
| Switch type | type 1 |
| Coding level | no coding |
| Degree of protection | IP 65 to IEC/EN 60529 |
| B_{10d} (10 % load) | 2 million |
| T_M | max. 20 years |
| Contact material | silver |
| Switching system | slow action, positive break NC contacts \ominus |
| Switching elements | 1 NC/1 NO contact, type Za |
| Connection | screw connection terminals |
| Cable cross-section | max. 2.5 mm ² (incl. conductor ferrules) |
| Cable entry | 3 x M16 x 1.5 |
| Rated impulse withstand voltage U_{imp} | 4 kV |
| Rated operating isolation voltage U_i | 400 V |
| Conventional thermal current I_{the} | 6 A |
| Utilisation category | AC-15 |

Errors and omissions excepted.



Position switch Extreme with safety function

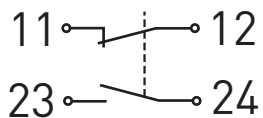
ES 41 H/90° 1Ö/1S +180°C Extreme

Material number: 1171799 (Material number old: 41013908)

Technical data

| | |
|---|------------------------|
| Rated operating current/ voltage I_e/U_e | 6 A/400 VAC |
| Short-circuit protection | 6 A gG/gN fuse |
| Mechanical life | > 1 million operations |
| Operation cycles | max. 1800/h |
| Ambient temperature | -20 °C ... +180 °C |
| Approvals | |
| Weight | 176 g |

Contact diagram



Switching diagram

