



## Position switch Extreme with safety function

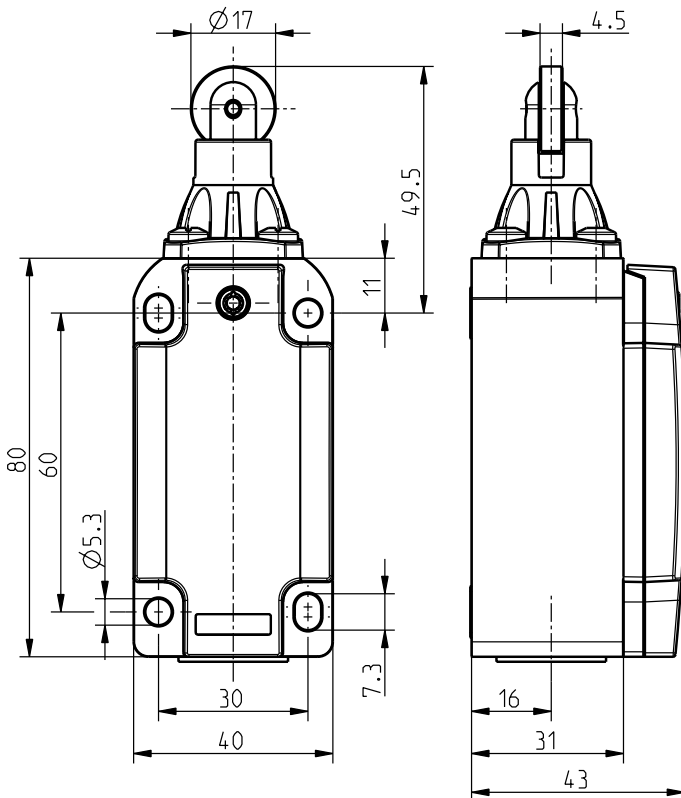
### ES 98 R-12 -40°C IP66 Extreme

Material number: 1305005 (Material number old: 9103099001)

#### Features/Options:

- Cold-resistant down to -40 °C
- High degree of protection IP 66
- Metal enclosure
- Design to EN 50041
- Slow action  $\ominus$ , 2 NC/1 NO contact with double break
- Actuator: Roller plunger R
- Actuator type C to EN 50041
- Actuating speed max. 0.5 m/s with a vertical actuating angle of 30°
- Attention: Please state required international approvals with your order!

#### Dimensions



#### Technical data

Applied standards	EN ISO 13849-1, EN 60947-5-1, EN ISO 14119
Enclosure	aluminium, corrosion-resistant, powder-coated, anthracite grey, similar to RAL 7016
Cover	stainless steel 1.4401, powder-coated, signal yellow, similar to RAL 1003
Switch type	type 1
Coding level	no coding
Degree of protection	IP 66/67 to IEC/EN 60529
$B_{10d}$ (10 % load)	2 million
$T_M$	max. 20 years
Contact material	silver
Switching system	slow action, positive break NC contacts $\ominus$
Switching elements	2 NC/1 NO contact, type Zb
Connection	screw connection terminals
Cable cross-section	max. 1.5 mm <sup>2</sup> (incl. conductor ferrules)
Cable entry	1 x M20 x 1.5
Rated impulse withstand voltage $U_{imp}$	4 kV
Rated operating isolation voltage $U_i$	400 V
Conventional thermal current $I_{the}$	1.5 A
Rated operating current/voltage $I_e/U_e$	1.5 A/230 VAC; 0.27 A/250 VDC
Utilisation category	AC-15; DC-13
Short-circuit protection	1.5 A gG/gN fuse

Errors and omissions excepted.



## Position switch Extreme with safety function

ES 98 R-12 -40°C IP66 Extreme

Material number: 1305005 (Material number old: 9103099001)

### Technical data

Mechanical life > 1 million operations

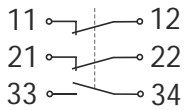
Operation cycles max. 1800/h

Ambient temperature -40 °C ... +60 °C

Approvals



### Contact diagram



### Switching diagram

