

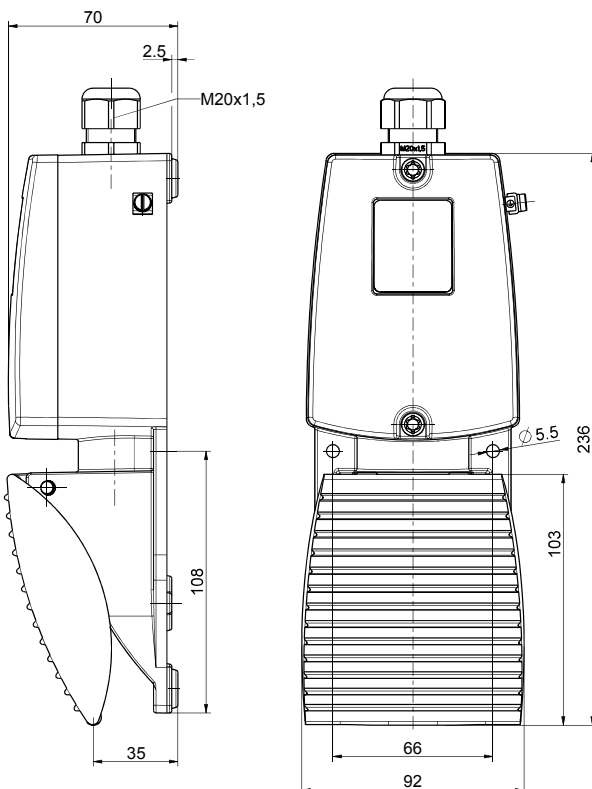


Ex foot switch Ex GFI 1Ö/1S -40°C ... +55°C IP66/67 Extreme Material number: 1318066

Features/Options:

- Ex zone 1 and 21
- 1-pedal type
- Corrosion-resistant aluminium enclosure
- Without protective shield
- Salt-mist spray test to DIN EN ISO 9227
- High degree of protection IP 66 / IP 67
- Temperature resistant from -40 °C to +55 °C
- Screws and metal parts made of stainless steel
- Wiring compartment
- Low pedal height
- Maritime certification to DNV GL
- Attention: Please state required international approvals with your order!

Dimensions



Technical data

Applied standards	EN 60947-5-1, EN 60079-0, EN 60079-1, EN 60079-7, EN 60079-31, EN ISO 13849-1
Enclosure	aluminium, corrosion-resistant, powder-coated, anthracite grey, similar to RAL 7016
Cover	aluminium, corrosion-resistant, powder-coated, signal yellow, similar to RAL 1003
Pedal	aluminium, corrosion-resistant, hard-coated, powder-coated, anthracite grey, similar to RAL 7016
Degree of protection	IP 66/67 to IEC/EN 60529
B _{10d} (10 % load)	2 million
T _M	max. 20 years
Connection	screw connection terminals
Cable cross-section	max. 2.5 mm ² (incl. conductor ferrules)
Contact material	silver
Switching system	slow action, positive break NC contacts ⊖
Switching elements	1 NC/1 NO contact, type Zb
Utilisation category	AC-15; DC-13
Rated operating current/voltage I _e /U _e	5 A/250 VAC; 0.2 A/230 VDC
Short-circuit protection	5 A gG/gN fuse
Ambient temperature	T6: -40 °C ... +55 °C
Mechanical life	> 1 million operations
Impact energy	max. 7 J

Errors and omissions excepted.



Ex foot switch
Ex GFI 1Ö/1S -40°C ... +55°C IP66/67 Extreme
Material number: 1318066

Technical data

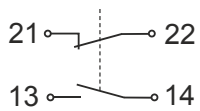
Ex marking
II 2G Ex de IIC T6 Gb,
II 2D Ex tb IIIA T80°C Db
IECEX Ex de IIC T6 Gb,
Ex tb IIIA T80°C Db

Approvals
PTB 15 ATEX 1010
IECEX PTB 15.0035



Weight
920 g

Contact diagram



Switching diagram

