

LED

IP 66



FLXE 118 LED-N



CONSTRUCTION

Housing: aluminium powder painted casting

Diffuser: borosilicate glass tube,

Gasket: silicon

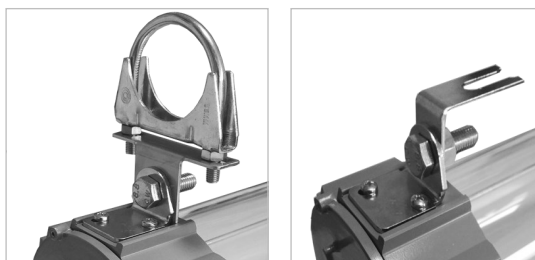
The light fitting is normally supplied with two entries M20 and wall/sealing mounting set

TECHNICAL DATA

Certificate:	FIDI 19 ATEX 0028
Marking:	CE 0722
Apparatus category:	II 2G II 2D
Marking of explosion protection:	Ex db IIC T6 Gb or Ex db eb IIC T6 Gb Ex tb IIIC T80°C Db
Ambient temperature:	-20°C ≤ T _a ≤ +50°C
Degree of protection:	IP 66
Resistance to shock:	IK 08
Protection class :	I (protective earthing)
Rated voltage:	220-240 V Other voltage on request
Frequency:	50Hz / 60Hz
Rated power:	LED strip SMD 1,4 W
Luminous flux:	250 lm
Connecting terminals:	L, L', N, PE, DALI 4 mm ² max. per terminal External PA terminal -PA; max 2x6mm ²
Cable entry:	2 x M20 or 2 x 3/4"NPT or 2 x M20, with one Ex d plugs and one adapter type ADP 03/24 for cable f6-15 mm
Weight:	4kg

MOUNTING

Pendant, on pipe, wall, ceiling mounting . Operates in any position.



- Used for marking escape routes and exits in potentially explosive atmospheres.
- Self-test, monitoring and diagnostics reduce costly maintenance checks.
- >3h autonomy
- Maintained / Non maintained operation
- DALI Digital Addressable Lighting Interface
- 3 lithium-ion secondary cells LiFePO₄ 3.2 V / 1.5 Ah , microprocessor-controlled charging, discharging, heating and monitoring
- **Maintained** (Dauerschaltung)
- **Non maintained** (Bereitschaftschaltung)

Emergency LED light fitting

MODEL CODE

FLXE 118 LED-N / -

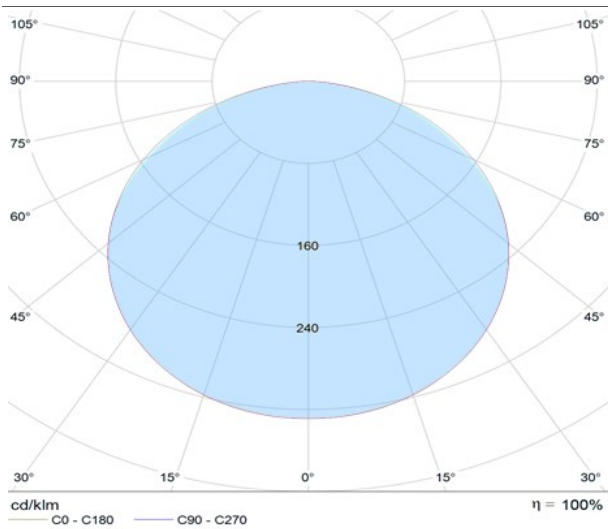
Cable entry:

- 0 - Ex db cable entry 2 x M20
- 1 - Ex db cable entry 2 x 3/4"NPT
- 2 - Ex db cable entry 2 x M20, ISO 965-1, with one installed Ex db eb adapter type ADP 24/1 and one Ex db plug
- 3 - Ex db cable entry 2 x M20, with one installed Ex db eb adapter type ADP 24/1 and one ADP 22/1 for DALI interface
- 4 - Ex db cable entry 2 x M20, with two installed Ex db eb adapter type ADP 24/1 for true wiring

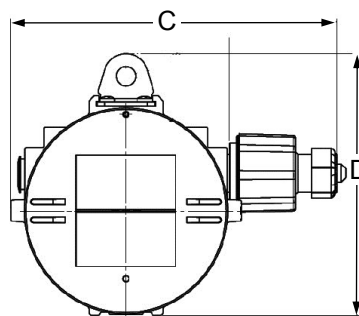
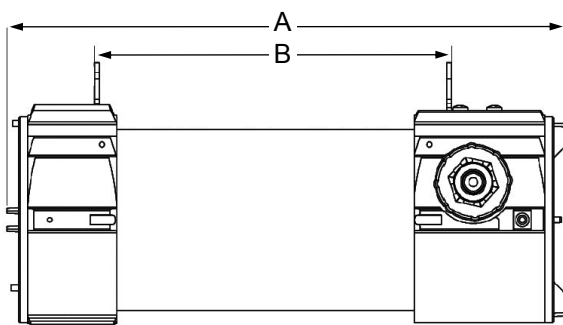
Pictogram: according to DIN 4844-2

0	Without marking	5	
1		6	
2		7	
3		8	
4			

POLAR CURVE



DIMENSION DRAWING (mm)



A	B	C	D
370	225	220	174

SPARE PARTS AND ACCESSORIES

SKETCH	DESCRIPTION	CODE	SKETCH	DESCRIPTION	CODE
	Cover gasket FLX	FLX 10-120		External reflector FLX	FLX LED 20-150
	Base plate FLXE	FLXE 10-130		FLX Wall / ceiling mounting set	FLX 20-170
	Protective grid FLXE set	FLXE 20-140		FLX Pipe mounting set	FLX 20-180

All technical data is relevant at the time of print.