

HME Compact Interface Relay



Technical Datasheet

Key Features

- Compact Design, Easy Installation
- Related Load: 2C 8A
- High Sensitivity
- Manual Button & Latch
- Mechanical Indicator Window & LED Indicator
- Industrial Flat Pin Connections
- AC (Red Latch) & DC (Blue Latch) Versions



Options & Ordering Codes

HME - 2 1 - PN / 24DC

Contact Arrangement		Coil Voltage	
2 Pole Changeover (CO)	2	12DC	12V DC
		24DC	24V DC
		48DC	48V DC
		24AC	24V AC
		110AC	110V AC
		230AC	230V AC

Connection Type	
Plug-In	1

Standard Function	
PN	Mechanical Indicator / Test Latch LED

Contact Data

Contact Arrangement	2P Changeover
Contact Material	Ag Alloy
Contact Rating	8A
Rated Voltage	250VAC / 30VDC
Max. Switching Voltage	275VAC / 33VDC
Max. Switching Power	3000VA / 360W
Coil Resistance	≥50mΩ
Mechanical Life	≥1x10 ⁷ OPS
Electrical Life	≥1x10 ⁵ OPS

Coil Data

at 23°C

Nominal Voltage VDC	Coil Resistance Ω	Nominal Voltage VAC	Coil Resistance Ω
12	270 (1±10%)	24	240 (1±10%)
24	1100 (1±10%)	110	6300 (1±10%)
48	4300 (1±10%)	230/240	23000 (1±10%)

PLEASE NOTE: Above voltage versions available from stock. Other voltages available to order.

Characteristics

Insulation Resistance	1000mΩ (at 500VDC)	
Dielectric Strength	Between Coil & Contacts	5000VAC 1min
	Between Open Contacts	1000VAC 1min
	Between Contact Sets	3000VAC 1min
Operate Time (at nominal voltage)	≤20ms	
Release Time (at nominal voltage)	≤10ms	
Ambient Temperature	-40°C to 55°C	
Humidity	5% to 85% RH	
Atmospheric Pressure	86 to 106KPa	
Vibration Resistance	10Hz to 55Hz 1.0mm DA	
Shock Resistance	1000m/s ² (10G)	
Unit Weight	Approx. 20g	

Coil

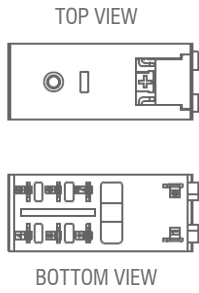
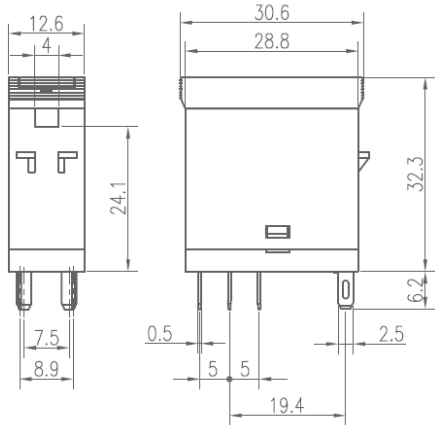
Coil Power	DC Type	0.53W
	AC Type	1.0VA

HME Compact Interface Relay

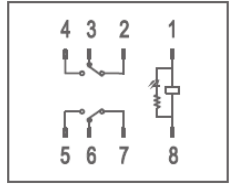


Technical Datasheet

Dimensions (mm)

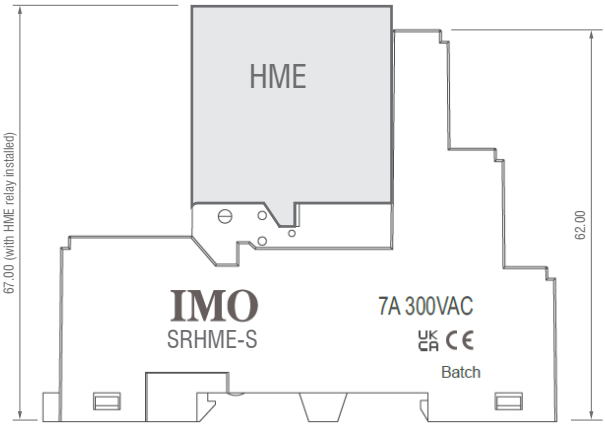
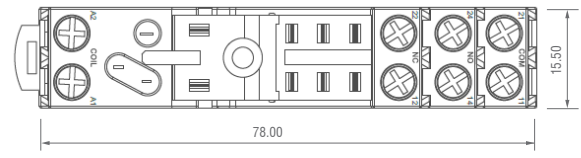


Wiring Diagram



Relay Base - SRHME-S

For Single-Sided Wiring of the Contacts (coil on the bottom, com and contact on the top). Comes with marking label as standard



Various Plug-In Modules available upon request

