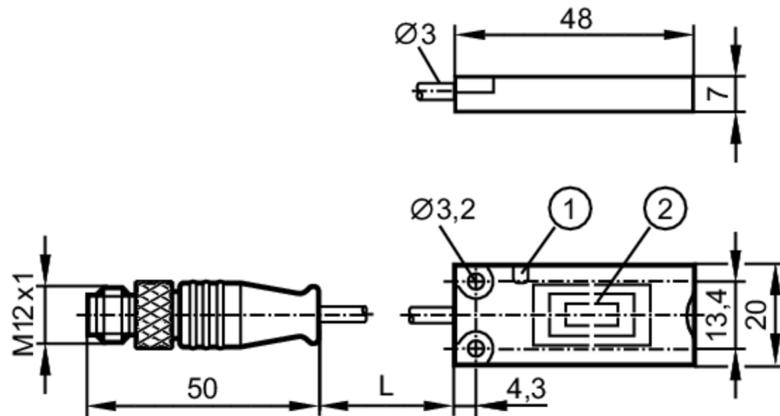


KQ5101



Capacitive sensor

KQ-3120NFPKG/0,1M/US



- 1 LED
2 Sensing face



Electrical data

Operating voltage	[V]	10...30 DC; ("supply class 2" according to UL)
Current consumption	[mA]	< 17
Protection class		III
Reverse polarity protection		yes

Outputs

Electrical design		PNP
Output function		normally open / normally closed; (selectable)
Max. voltage drop switching output DC	[V]	2.5
Permanent current rating of switching output DC	[mA]	100
Switching frequency DC	[Hz]	10
Short-circuit protection		yes
Overload protection		yes

Detection zone

Sensing range	[mm]	12
Real sensing range Sr	[mm]	12 ± 10 %

Accuracy / deviations

Hysteresis	[% of Sr]	1...15
Switch point drift	[% of Sr]	-20...20

Software / programming

Parameter setting options		only via IO-Link
---------------------------	--	------------------

KQ5101



Capacitive sensor

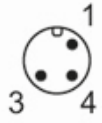
KQ-3120NFPKG/0,1M/US

Interfaces		
Communication interface	IO-Link	
Transmission type	COM1 (4,8 kBaud)	
IO-Link revision	1.1	
SDCI standard	IEC 61131-9 CDV	
IO-Link device ID	371d / 000173h	
Profiles	Smart Sensor	
SIO mode	yes	
Operating conditions		
Ambient temperature [°C]	-25...80	
Note on ambient temperature	for UL application: ...50 °C	
Protection	IP 65; IP 67	
Tests / approvals		
EMC	EN 61000-4-2	8 kV AD
	EN 61000-4-3	10 V/m
	EN 61000-4-4	2 kV
	EN 61000-4-6	3 V
	EN 55011	class B
Vibration resistance	EN 60068-2-6 Fc	(10...55 Hz) / 1 mm amplitude, oscillation period 5 min., 30 min. per axis at resonance or 55 Hz
Shock resistance	EN 60068-2-27 Ea	30 g 6 shocks / 11 ms half-sine (x, y, z)
MTTF [years]	771	
Mechanical data		
Weight [g]	27.5	
Housing	rectangular	
Mounting	non-flush mountable	
Dimensions [mm]	20 x 7 x 48	
Materials	PBT; TPE-U; stainless steel	
Displays / operating elements		
Display	switching status	1 x LED, yellow
Electrical connection		
Connection	plug	
Remarks		
Pack quantity	1 pcs.	
Electrical connection - plug		
Cable: 0.1 m, PUR, Ø 2.9 mm		
Connector: 1 x M12		

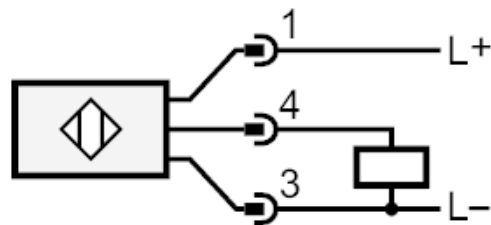
KQ5101

Capacitive sensor

KQ-3120NFPKG/0,1M/US



Connection



4: OUT / IO-Link