

Motor Circuit Breakers C4

- Motor protection rating up to 100 Amps
- Short circuit breaking capacity up to 100kA
- Phase failure protection
- DIN rail mounting
- Wide range of accessories



Options & Ordering Codes

C4/32T					
Setting Range	Short Circuit Release	Part Reference	Ultimate Short Circuit Breaking/ Service Capacity <400V AC max. fuse A		
A	A		Icu - kA	Ics - kA	gL/gG
0.10 - 0.16	2.1	C4/32T-0.16	100	100	--
0.16 - 0.25	3.3	C4/32T-0.25	100	100	--
0.25 - 0.4	5.2	C4/32T-0.4	100	100	--
0.4 - 0.63	8.2	C4/32T-0.63	100	100	--
0.63 - 1.0	13.0	C4/32T-1	100	100	--
1.0 - 1.6	20.8	C4/32T-1.6	100	100	--
1.6 - 2.5	32.5	C4/32T-2.5	100	100	--
2.5 - 4.0	52	C4/32T-4	100	100	--
4.0 - 6.0	78	C4/32T-6	100	100	--
5.0 - 8.0	104	C4/32T-8	100	100	--
6.0 - 10.0	130	C4/32T-10	50	38	80 ⁽¹⁾
9.0 - 13.0	169	C4/32T-13	50	38	80 ⁽¹⁾
11.0 - 17.0	221	C4/32T-17	20	15	100 ⁽¹⁾
14.0 - 22.0	286	C4/32T-22	15	11	100 ⁽¹⁾
18.0 - 26.0	338	C4/32T-26	15	11	100 ⁽¹⁾
22.0 - 32.0	416	C4/32T-32	15	11	100 ⁽¹⁾

C4/32R					
Setting Range	Short Circuit Release	Part Reference	Ultimate Short Circuit Breaking/ Service Capacity <400V AC max. fuse A		
A	A		Icu - kA	Ics - kA	gL/gG
0.10 - 0.16	2.1	C4/32R-0.16	100	100	--
0.16 - 0.25	3.3	C4/32R-0.25	100	100	--
0.25 - 0.4	5.2	C4/32R-0.4	100	100	--
0.4 - 0.63	8.2	C4/32R-0.63	100	100	--
0.63 - 1.0	13.0	C4/32R-1	100	100	--
1.0 - 1.6	20.8	C4/32R-1.6	100	100	--
1.6 - 2.5	32.5	C4/32R-2.5	100	100	--
2.5 - 4.0	52	C4/32R-4	100	100	--
4.0 - 6.0	78	C4/32R-6	100	100	--
5.0 - 8.0	104	C4/32R-8	100	100	--
6.0 - 10.0	130	C4/32R-10	100	100	--
9.0 - 13.0	169	C4/32R-13	100	100	--
11.0 - 17.0	221	C4/32R-17	50	38	100 ⁽¹⁾
14.0 - 22.0	286	C4/32R-22	50	38	125 ⁽¹⁾
18.0 - 26.0	338	C4/32R-26	50	38	125 ⁽¹⁾
22.0 - 32.0	416	C4/32R-32	50	38	125 ⁽¹⁾

C4/63R					
Setting Range	Short Circuit Release	Part Reference	Ultimate Short Circuit Breaking/ Service Capacity <400V AC max. fuse A		
A	A		Icu - kA	Ics - kA	gL/gG
18.0 - 26.0	338	C4/63R-26	50	50	125 ⁽¹⁾
22.0 - 32.0	416	C4/63R-32	50	50	125 ⁽¹⁾
28.0 - 40.0	520	C4/63R-40	50	50	160 ⁽¹⁾
34.0 - 50.0	650	C4/63R-50	50	50	160 ⁽¹⁾
45.0 - 63.0	819	C4/63R-63	50	50	160 ⁽¹⁾

C4/100R					
Setting Range	Short Circuit Release	Part Reference	Ultimate Short Circuit Breaking/ Service Capacity <400V AC max. fuse A		
A	A		Icu - kA	Ics - kA	gL/gG
45.0 - 63.0	819	C4/100R-63	50	38	160 ⁽¹⁾
55.0 - 75.0	975	C4/100R-75	50	38	160 ⁽¹⁾
70.0 - 90.0	1170	C4/100R-90	50	38	160 ⁽¹⁾
80.0 - 100.0	1300	C4/100R-100	50	38	160 ⁽¹⁾

-- No back-up fuse required
⁽¹⁾ Back-up fuse required if short circuit at installation point > Icu - kA

Motor Circuit Breakers C4

Accessories

Top mounted auxiliary contact block, max 1 per circuit breaker

Part Number	Description	Version	For Use With
C4HQ11	Contact Block	1NO + 1NC	C4/32, C4/63 & C4/100
C4HQ20	Contact Block	2NO	C4/32, C4/63 & C4/100
C4HQ02	Contact Block	2NC	C4/32, C4/63 & C4/100

Auxiliary contact block for left hand side mounting, 2 per circuit breaker (except C4/63R) - cannot be fitted next to another breaker on a bus bar

Part Number	Description	Version	For Use With
C4HS11	Contact Block	1NO + 1NC	C4/32, C4/63 & C4/100
C4HS20	Contact Block	2NO	C4/32, C4/63 & C4/100
C4HS02	Contact Block	2NC	C4/32, C4/63 & C4/100

Trip alarm / magnetic trip alarm switch for left hand side mounting, max 1 per circuit breaker

Part Number	Description	Version	For Use With
C4MA11	Trip Alarm	1NO + 1NC short circuit signal alarm	C4/32, C4/63 & C4/100
C4M11	Magnetic Trip Alarm	1NO + 1NC short circuit signal alarm	C4/32R

Auxiliary releases for right hand side mounting, max 1 per circuit breaker

Part Number	Description	Version	For Use With
C4U24	Under voltage trip: trips the circuit breaker when the voltage is interrupted.	24V 50Hz, 28V 60Hz	C4/32, C4/63 & C4/100
C4U110		110-127V 50Hz, 120V 60Hz	C4/32, C4/63 & C4/100
C4U230		220-230V 50Hz, 240-260V 60Hz	C4/32, C4/63 & C4/100
C4U240		240V 50Hz, 277V 60Hz	C4/32, C4/63 & C4/100
C4U400		Prevents accidental restart.	380-400V 50Hz, 440-460V 60Hz
C4U415	415-440V 50Hz, 460-480V 60Hz		C4/32, C4/63 & C4/100
C4A24	Shunt trip: trips the circuit breaker when the release coil is energised	24V 50Hz, 28V 60Hz	C4/32, C4/63 & C4/100
C4A110		110-127V 50Hz, 120V 60Hz	C4/32, C4/63 & C4/100
C4A230		220-230V 50Hz, 240-260V 60Hz	C4/32, C4/63 & C4/100
C4A240		240V 50Hz, 277V 60Hz	C4/32, C4/63 & C4/100
C4A400		380-400V 50Hz, 440-460V 60Hz	C4/32, C4/63 & C4/100
C4A415		415-440V 50Hz, 460-480V 60Hz	C4/32, C4/63 & C4/100

Link Modules - for mechanical fixing and electrical connecting between circuit breaker and contactor

Part Number	Description	Version	Rating
C432VK1	Link Module for electrical and mechanical connection	for C4/32... with contactors MB	max. 32A
C432VK3		for C4/32... with contactors MC10-MC22	max. 32A
C432VKG3		for C4/32... with contactors MCD10-MCD22	max. 32A
C432VD	Link Module for electrical connection	for C4/32... with contactors MC(D)24-MC(D)40	max. 32A
C4663VD		for C4/63... with contactors MC24-MC74	max. 63A
C463VDG		for C4/63... with contactors MCD24-MCD40	max. 63A
C4100VD		for C4/100... with contactors MC50-MC74	max. 100A

Other Accessories

Part Number	Description	For Use With
C4K	Scale cover: for cover current setting scale	C4/32, C4/63 & C4/100
C432L	Push in lugs: for plate mounting	C4/32
C4100E	Insulation barrier: up to 600V acc. UL489 for increased rating acc. UL Type "E"	C4/100

Motor Circuit Breakers C4

Accessories continued

Insulated 3-Phase busbar system

For feeding several modular circuit breakers on standard mounting rails, insulated & shock protected. Rated operational voltage 690V

Part Number	Description	Version	For Use With
C432S2	3-Phase busbars modular spacing 45mm	for 2 circuit breakers	C4/32
C432S3		for 3 circuit breakers	
C432S4		for 4 circuit breakers	
C432S5		for 5 circuit breakers	
C463S2	3-Phase busbars modular spacing 55mm	for 2 circuit breakers	C4/63
C432SE	Line side terminal 3-pole, connection from above	Conductor cross section solid or stranded 6-25mm ² with end sleeve 4-16mm ²	C4/32
C432SF	Cover for tags	Touch guard for empty spaces	C4/32

Mounting parts for motor circuit breaker/contactors combination

Part Number	Description	Version	For Use With
C432HU1	Adapter for mechanical fixing of circuit breaker and contactor	35mm DIN Rail (DIN 50022) or screw mounting	C4/32
C463HU1	Adapter for mechanical fixing of circuit breaker and contactor	DIN Rail mounting 2x35 DIN Rails with 125mm distances or 75mm DIN Rail or screw fixing	C4/63
C4100HU1	Adapter for mechanical fixing of circuit breaker and contactor	DIN Rail mounting 2x35 DIN Rails with 125mm distances or 75mm DIN Rail or screw fixing	C4/100
C432HU2	Adapter for mechanical fixing of circuit breaker and reversing or YD states	DIN Rail mounting 2x35 DIN Rails with 125mm distances or 75mm DIN Rail or screw fixing	C4/32

Busbar adapters

Part Number	Description	Version	For Use With
C432SA60	Busbar adapter for mechanical fixing of breaker and contactor	60mm systems for 3 copper busbars acc. to DIN 46433, width 12mm & 15mm, thickness 5mm & 10mm	C4/32

Door coupling rotary mechanisms

The door locking device prevents accidental opening of the cubicle door in the ON position of the circuit breaker. The OFF position can be locked with up to 3 padlocks

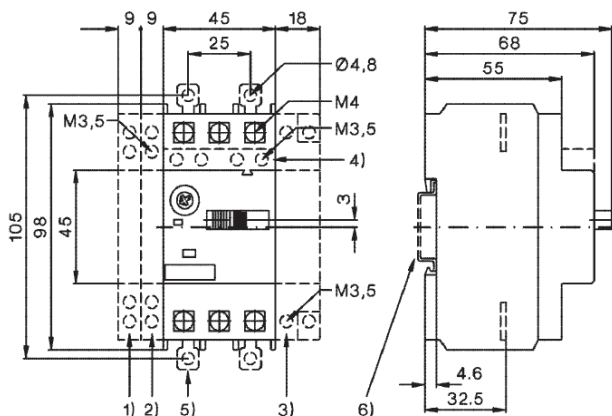
Part Number	Description	Version	For Use With
C4/32R-EH1-115	Door coupling rotary mechanism (black)	extension shaft 115mm	C4/32R
C4/32R-EH1-315		extension shaft 315mm	C4/32R
C4/63R-EH1-115		extension shaft 115mm	C4/63R
C4/63R-EH1-315		extension shaft 315mm	C4/63R
C4/100R-EH1-115		extension shaft 115mm	C4/100R
C4/100R-EH1-315		extension shaft 315mm	C4/100R
C4/32R-EHN1-115	Emergency stop door coupling mechanism (red/yellow)	extension shaft 115mm	C4/32R
C4/32R-EHN1-315		extension shaft 315mm	C4/32R
C4/63R-EHN1-115		extension shaft 115mm	C4/63R
C4/63R-EHN1-315		extension shaft 315mm	C4/63R
C4/100R-EHN1-115		extension shaft 115mm	C4/100R
C4/100R-EHN1-315		extension shaft 315mm	C4/100R

Motor Circuit Breakers C4

Dimensions (mm)

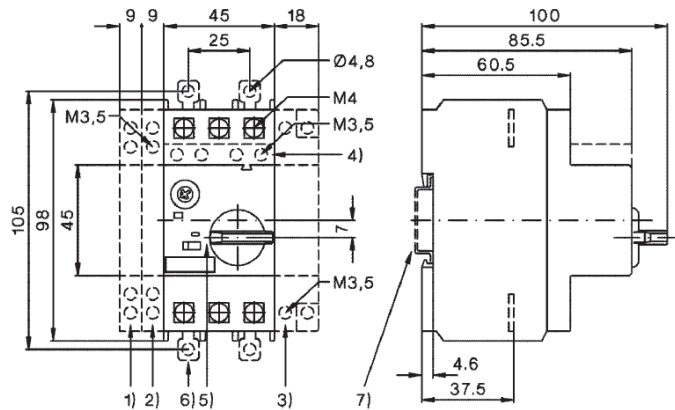
Circuit Breaker C4-32T

1. Side aux. contact
2. Magnetic trip alarm
3. Shunt or undervoltage release of arcing
4. Transverse aux. contact
5. Push in lugs for screw mounting
6. 35mm DIN Rail acc. to EN 50022



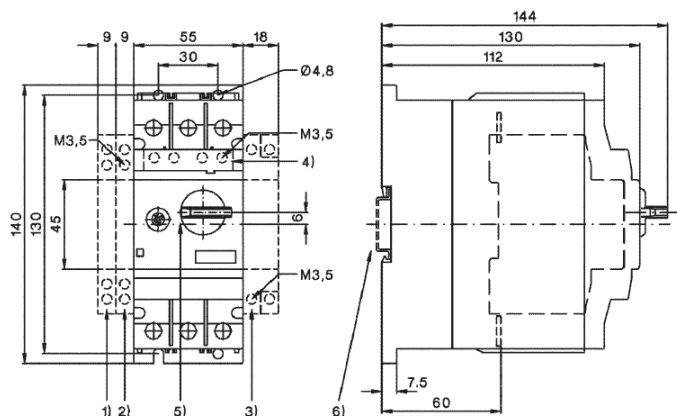
Circuit Breaker C4-32R

1. Side aux. contact
2. Magnetic trip alarm
3. Shunt or undervoltage release of arcing
4. Transverse aux. contact
5. Handle lock in OFF position (Ø 5mm)
6. Push in lugs for screw mounting
7. 35mm DIN Rail acc. to EN 50022



Circuit Breaker C4-63R

1. Side aux. contact
2. Magnetic trip alarm
3. Shunt or undervoltage release of arcing
4. Transverse aux. contact
5. Handle lock in OFF position (Ø 5mm)
6. 35mm DIN Rail acc. to EN 50022



Circuit Breaker C4-100R

1. Side aux. contact
2. Magnetic trip alarm
3. Shunt or undervoltage release of arcing
4. Transverse aux. contact
5. Handle lock in OFF position (Ø 5mm)
6. 35mm DIN Rail acc. to EN 50022
7. 70mm DIN Rail acc. to EN 50023
8. 4mm hexagon socket screw

