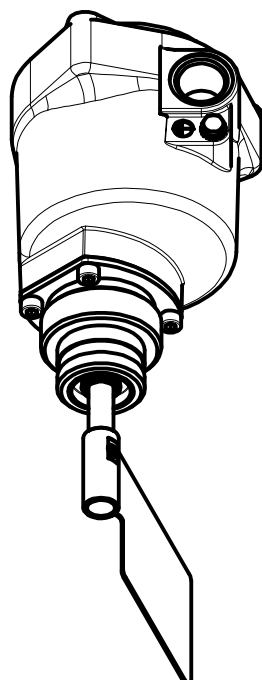


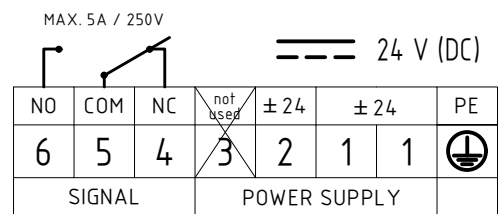
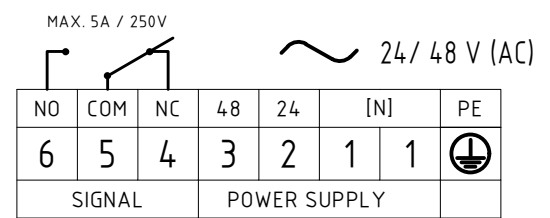
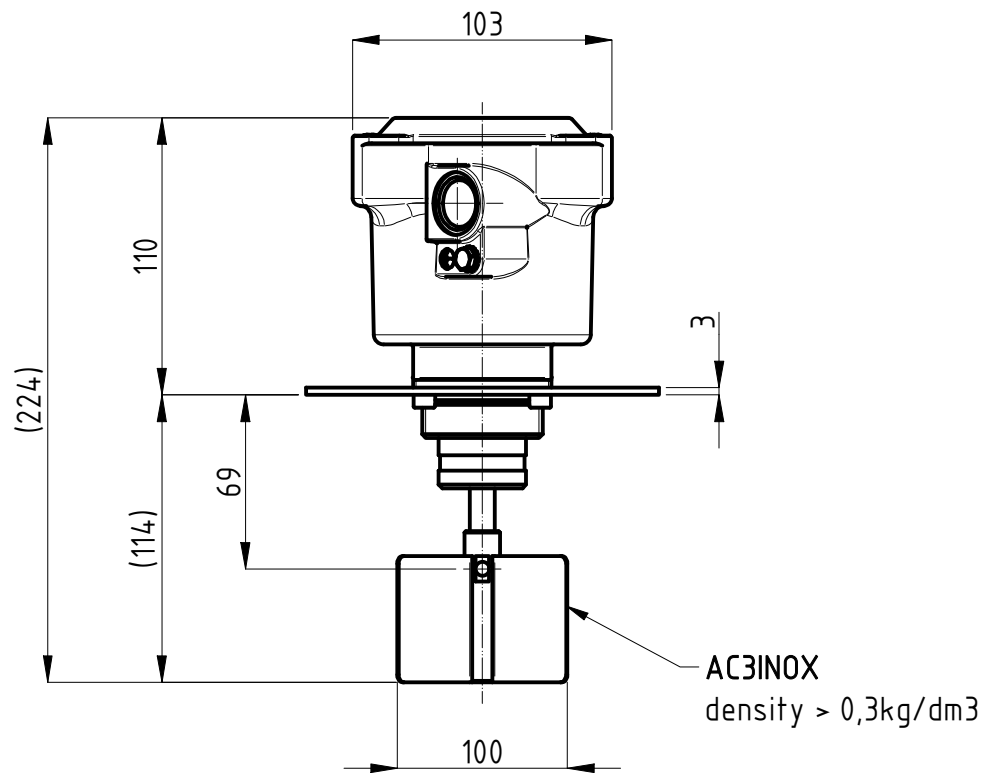
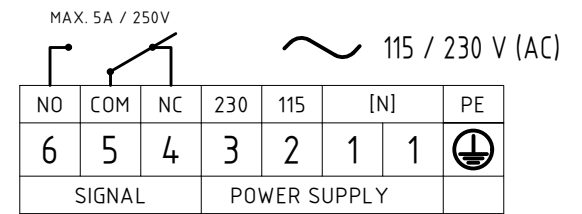
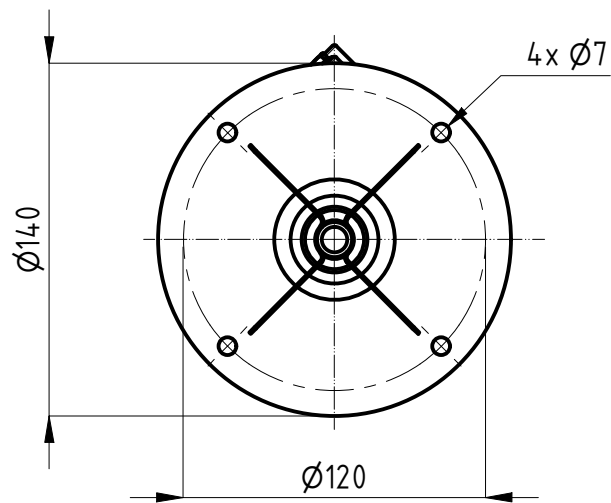
Terminals : male FASTON (.250 series / 6,3x0,8 mm)

PFG57X

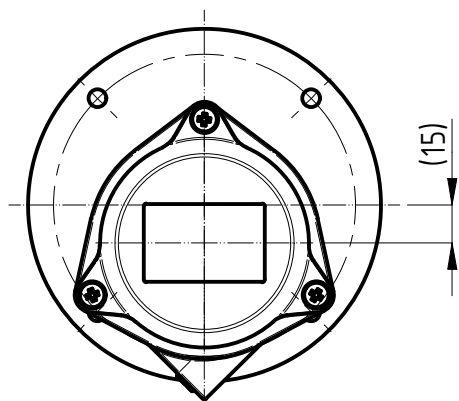


Model	PFG57X
Weight	1,1 [kg]
Power supply	- Bivoltage 115/230[V] (50...60Hz) - 4[W] - Bivoltage 24/48[V] (50...60Hz) - 4[W] - DC 24[V] ±15% - 4[W]
Signal	SPDT / max. 5[A]-250VAC
IP grade	IP65
Housing	Aluminium (powder coated)
Connection	G1" 1/2 - AISI304 (other threads available)
Ambient temperature	-20 < Ta < +70 [°C] -40 < Ta < +70 [°C] <i>LOW TEMPERATURE versions only (PFG.../B)</i>
Process temperature	-20 < Tp < +70 [°C] -40 < Tp < +70 [°C] <i>LOW TEMPERATURE versions only (PFG.../B)</i>
Pressure range	+0,8 ... +1,1 bar [abs]
Directives	2011/65/EU (RoHS) 2014/30/EU (EMC) 2014/34/EU (ATEX) 2014/35/EU (LVD) 1935/2004/EU (Food compliance)
ATEX Marking	Ex II 1/2 D Ex ta/tb IIIC T85°C IP65 Da/Db Ex II 3 D Ex tc IIIB T85°C Dc (Lamp version)
IECEX Marking	Ex ta/tb IIIC T85°C Da/Db

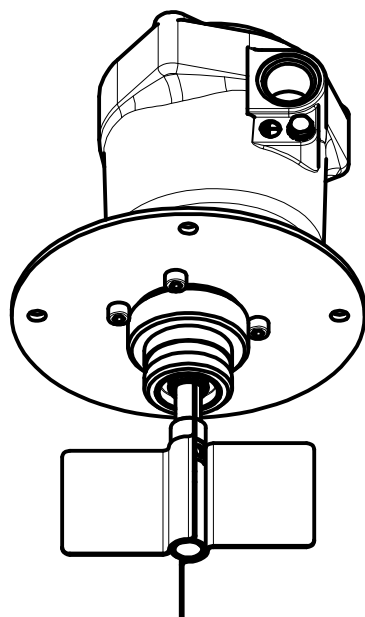
<p>® CAMLogic Via dell'Industria 12 42025 Cavriago (RE) - ITALY www.camlogic.it</p>		DRAWING N.	SHEET:
		0602_007_0	1 OF 5
GENERAL TOL.: ISO 2768-mH	UNLESS OTHERWISE SPECIFIED DIMENSION ARE IN [mm]	DRAWING FROM CAD SYSTEM - REFER TO 3D MODEL FOR MISSING DIMENSION - NO MANUAL MODIFICATION ALLOWED	SCALE: 1:3
			REV: 1 DATE 21.09.2021



Terminals : male FASTON (.250 series / 6,3x0,8 mm)



PFG57X/F

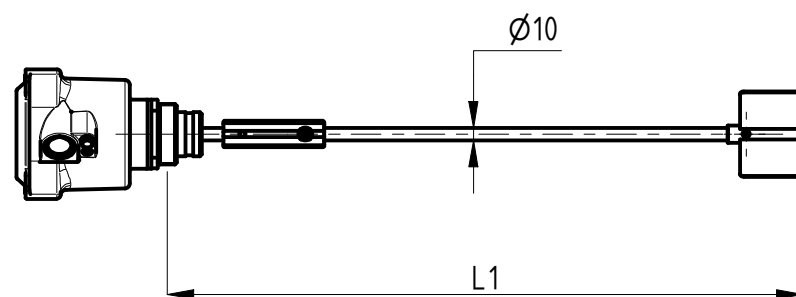


Model	PFG57XF
Weight	1,2 [kg]
Power supply	- Bivoltage 115/230[V] (50...60Hz) - 4[W] - Bivoltage 24/48[V] (50...60Hz) - 4[W] - DC 24[V] ±15% - 4[W]
Signal	SPDT / max. 5[A]-250VAC
IP grade	IP65
Housing	Aluminium (powder coated)
Connection	Flange - AISI304
Ambient temperature	-20 < Ta < +70 [°C] -40 < Ta < +70 [°C] <i>LOW TEMPERATURE versions only (PFG.../B)</i>
Process temperature	-20 < Tp < +70 [°C] -40 < Tp < +70 [°C] <i>LOW TEMPERATURE versions only (PFG.../B)</i>
Pressure range	+0,8 ... +1,1 bar [abs]
Directives	2011/65/EU (RoHS) 2014/30/EU (EMC) 2014/34/EU (ATEX) 2014/35/EU (LVD) 1935/2004/EU (Food compliance)
ATEX Marking	Ex II 1/2 D Ex ta/tb IIIC T85°C IP65 Da/Db Ex II 3 D Ex tc IIIB T85°C Dc (Lamp version)
IECEX Marking	Ex ta/tb IIIC T85°C Da/Db

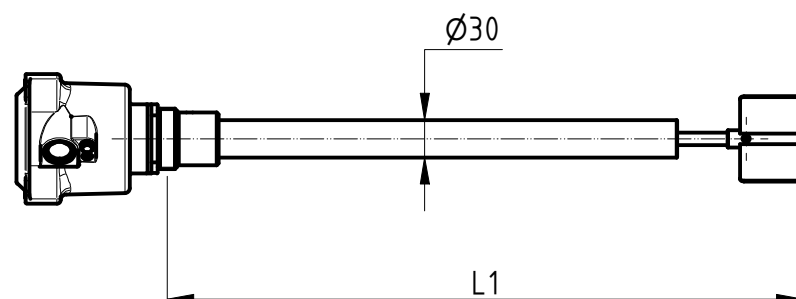
<p>® CAMLogic Via dell'Industria 12 42025 Cavriago (RE) - ITALY www.camlogic.it</p>	<p><b>CAMLOGIC</b>®</p>	DRAWING N.	SHEET:
		0602_007_0	2 OF 5
GENERAL TOL.: ISO 2768-mH	UNLESS OTHERWISE SPECIFIED DIMENSION ARE IN [mm]	DRAWING FROM CAD SYSTEM - REFER TO 3D MODEL FOR MISSING DIMENSION - NO MANUAL MODIFICATION ALLOWED	REV: 1
		SCALE: 1:3	DRAWN NR DATE 21.09.2021

EXTENSIONS

Extension w/o protection  
PSPX : stainless steel



Extension with  
external protection  
PCPX : stainless steel

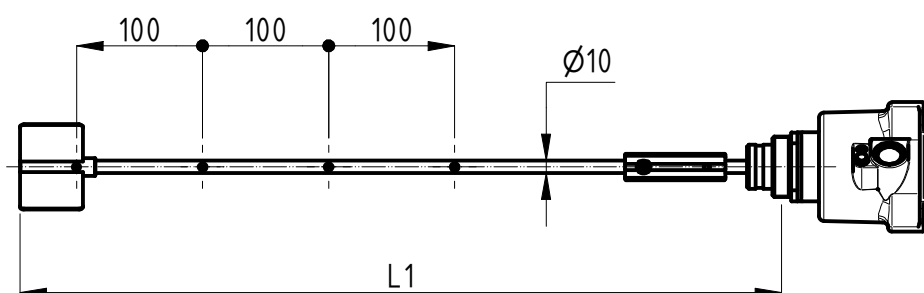


L1 [mm]

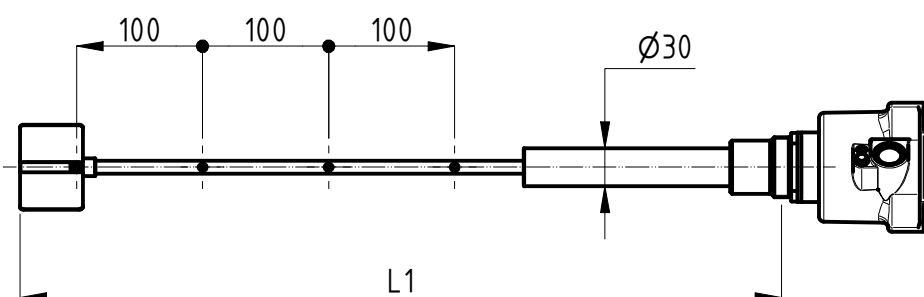
200
300
400
500
600
700
800
900
1100
1400
1700
1900
2400
2900
other lengths available on request, up to 3m

L1 [mm]

500
600
700
800
900
1100
1400
1700
1900
2400
2900
other lengths available on request, up to 3m

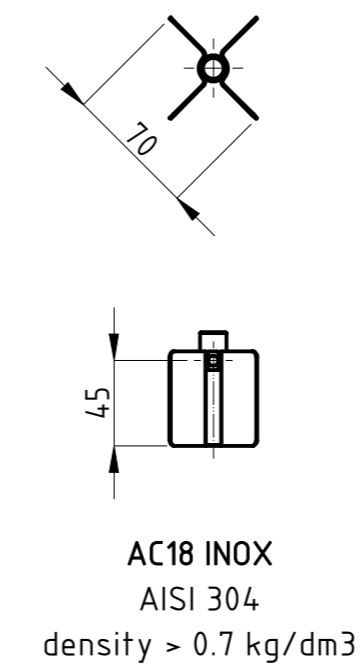
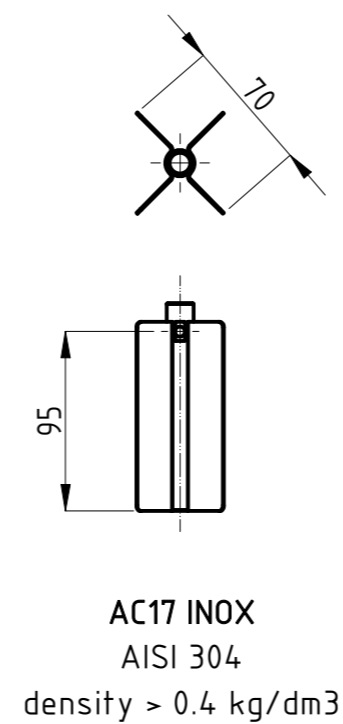
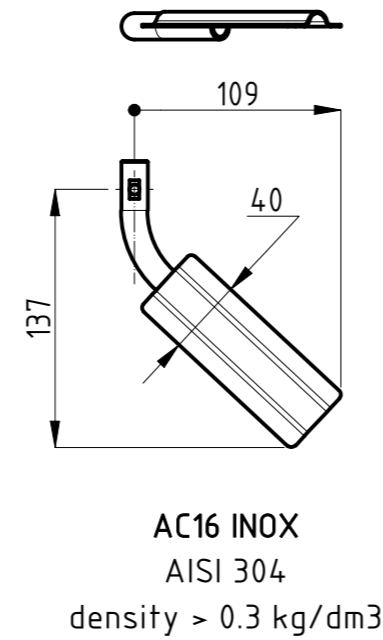
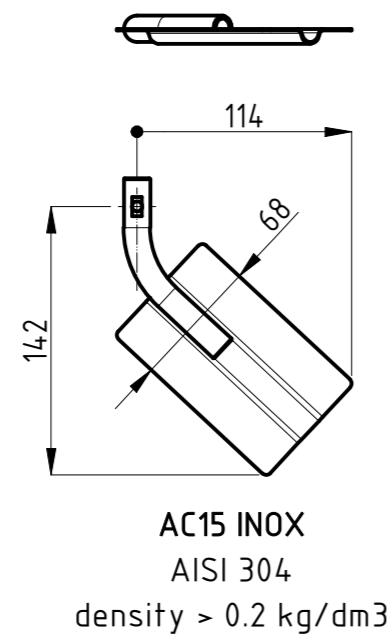
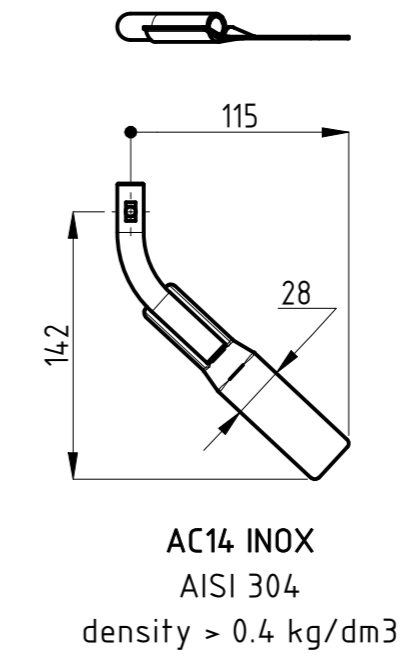
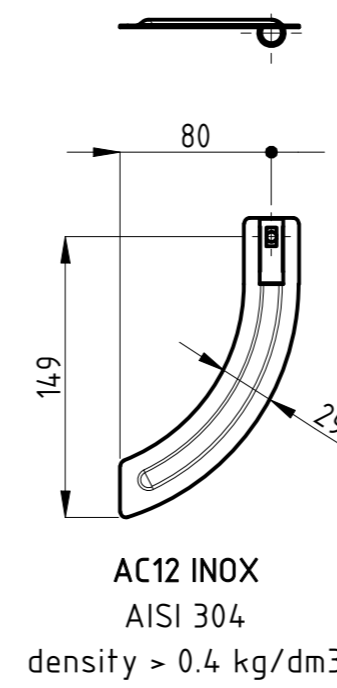
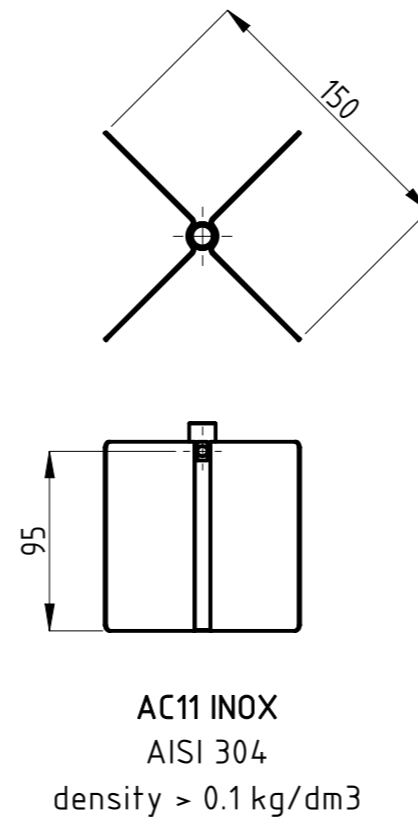
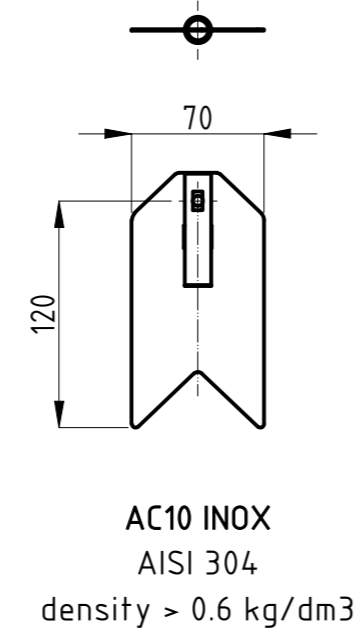
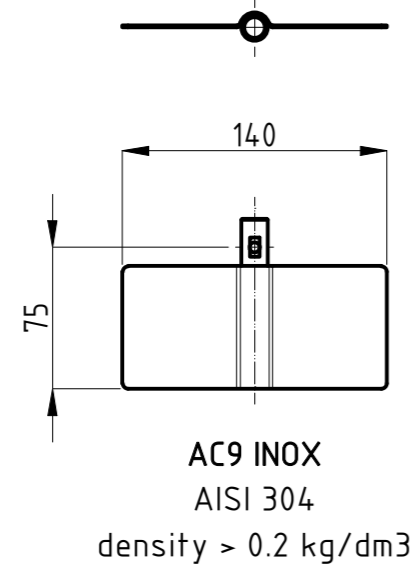
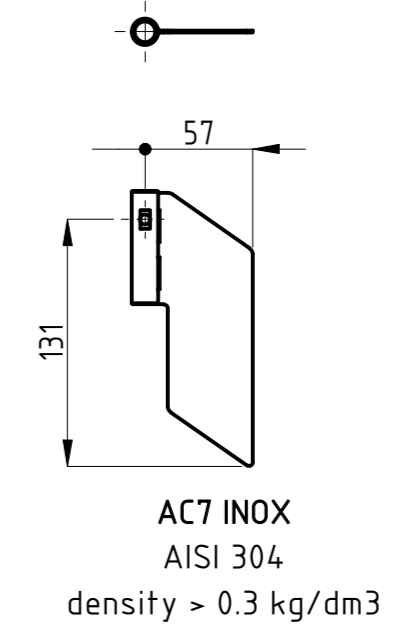
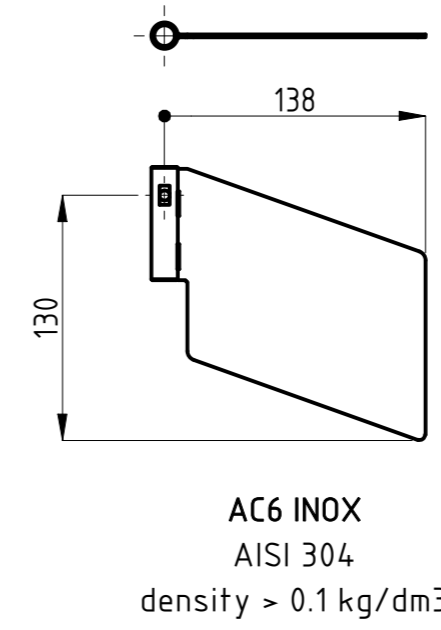
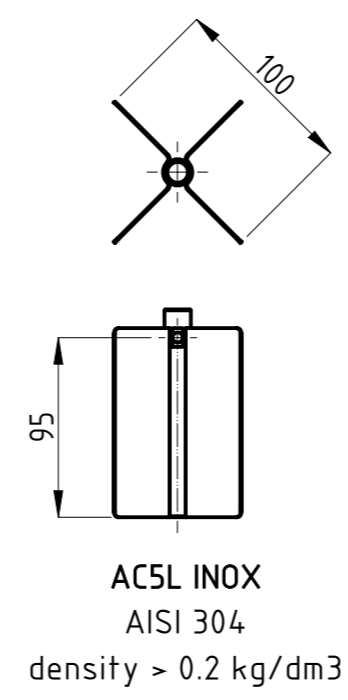
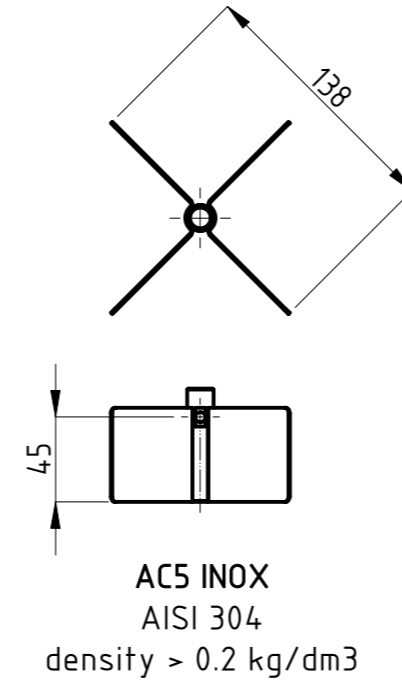
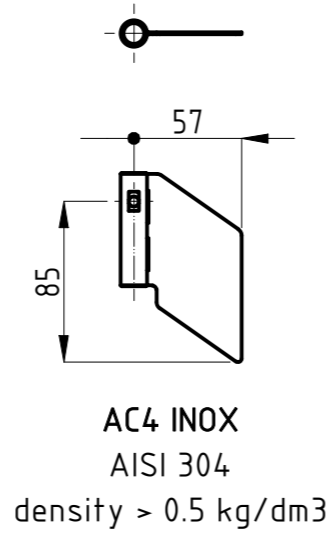
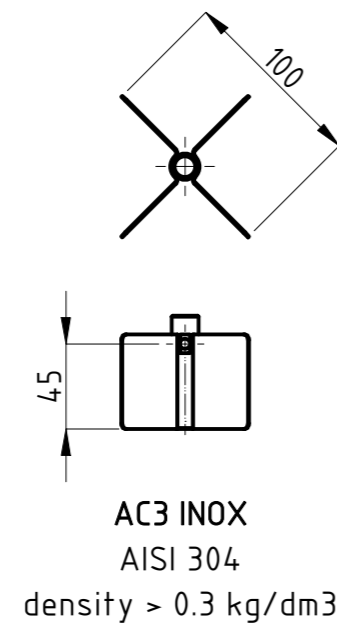
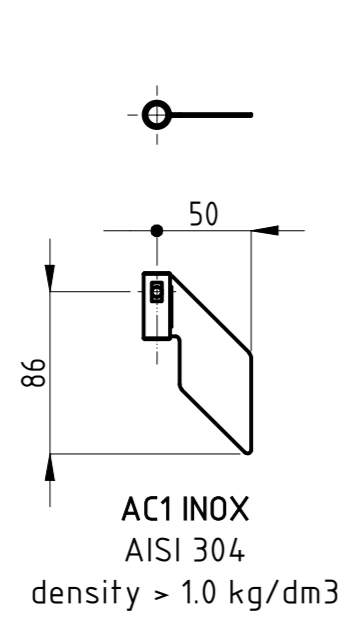


Adjustable extension  
w/o protection  
PRSX : stainless steel

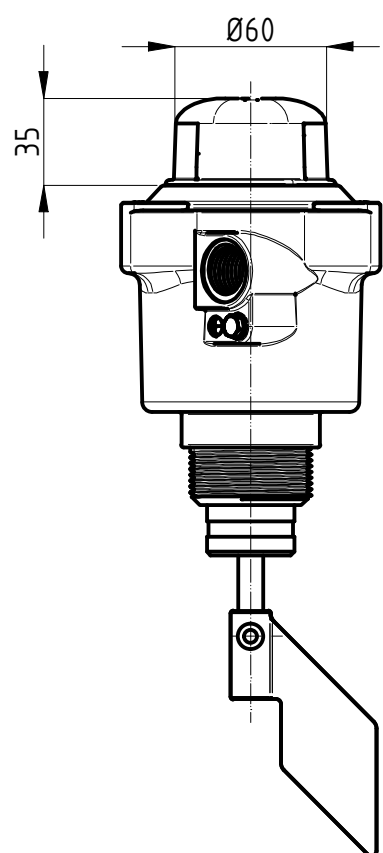


Extension with  
external protection  
PRPX : stainless steel

NOTE : lenghts may slightly differ from the tables according to the type of connection, model type and paddle chosen



OPTIONS



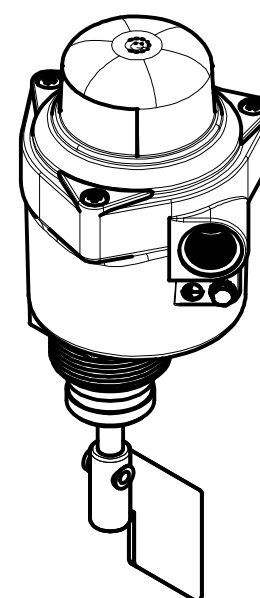
**SIGNAL LAMP (PFG57.../L)**

Adds a LED lamp on top. The lamp could be connected to NC contact (MIN level - empty), or NO contact (MAX level - full).

Must define a single power supply voltage: 24[V], 48[V], 115[V], 230[V]

**NOTE**  
Model with lamp can be installed only in Atex zone 22  
Marking: Ex II 3 D Ex tc IIIB T85°C Dc

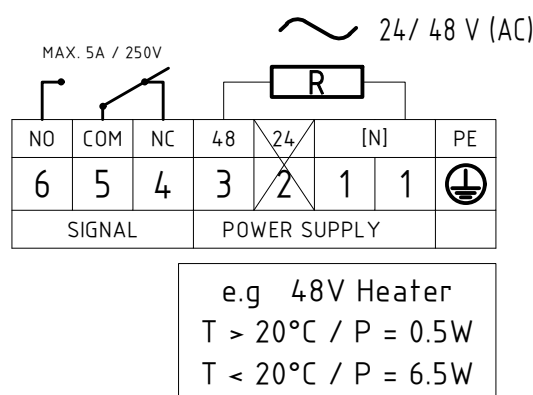
PFG57/L



**LOW TEMPERATURE (PFG57.../B)**

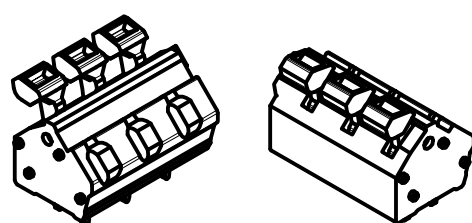
Extends the range of use of the indicator down to a minimum temperature of -40 °C  
Intelligent automatic operation: when the temperature exceeds + 20 °C it stops heating (heating OFF), it is reactivated when the temperature falls again below + 20 °C (heating ON)

Must define a single power supply voltage: 24[V], 48[V], 115[V], 230[V]



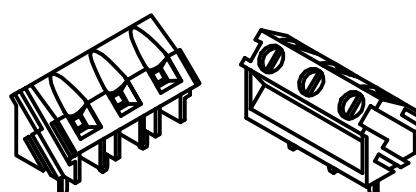
**SPRING TERMINAL BLOCK**

Terminals with spring terminal design.  
No tool needed for wires connection.  
0,13 - 2,5mm<sup>2</sup> (AWG26 - AWG14)



**SCREW TERMINAL BLOCK**

Terminals with screw terminal design (flat head)  
0,05 - 2,5mm<sup>2</sup> (AWG30 - AWG12)



**4rpm GEARMOTOR**

Increase paddle speed (4 rpm) to reduce product detection delay time (response time ~ 1,5s)