

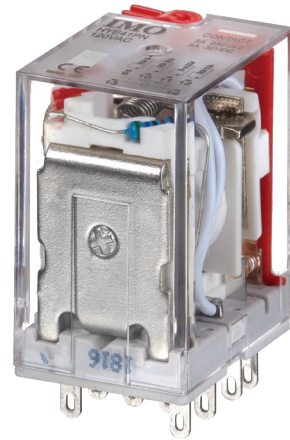
# HYE Series

## Miniature Intermediate Power Relays

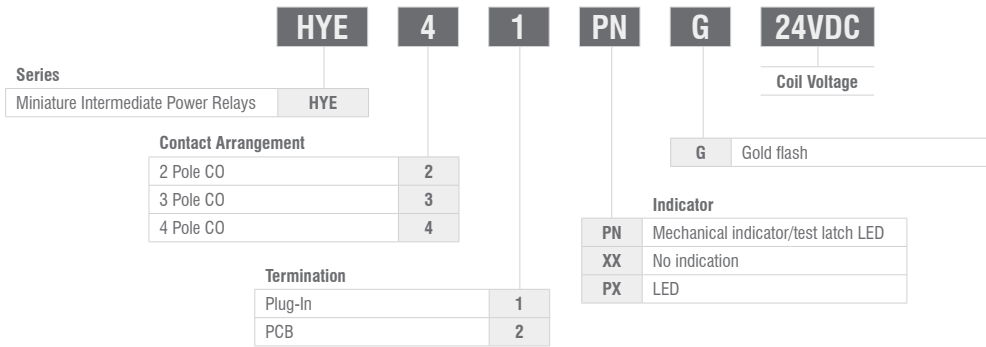


### Key Features

- 10A switching capability
- 2kV dielectric strength (between coil & contacts)
- Plug-In or PCB mountable
- Different sockets available
- RoHS Compliant
- 2 to 4 pole configurations
- Outline dimensions: 28.0 x 21.3 x 35.2mm



### Options & Ordering Codes



### Contact Data

Contact Arrangement	2P / 3P	4P
Contact Resistance	50mΩ max. (at 1A 24VDC)	
Contact Material	AgSnO <sub>2</sub>	
Contact Rating	10A 250VAC / 30VDC	5A 250VAC / 30VDC
Max. Switching Current	10A	5A
Max. Switching Voltage	250VAC / 30VDC	
Max. Switching Power	2500VA / 300W	1250VA / 150W
Mechanical Life	1 x 10 <sup>7</sup> ops	
Electrical Life	1 x 10 <sup>5</sup> ops	

### Coil

Coil Power	DC Type	900mW
	AC Type	1.2VA

### Coil Data at 23°C

Nominal Voltage VDC	Puck-Up Voltage VDC	Drop-Out Voltage VDC	Coil Resistance Ω
6	4.8	0.6	40 (1±10%)
12	9.6	1.2	160 (1±10%)
24	19.2	2.4	650 (1±10%)
48	38.4	4.8	2600 (1±10%)
110	88.0	11.0	11000 (1±10%)

### Characteristics

Insulation Resistance	1000mΩ (at 500VDC)	
Dielectric Strength	Between Coil & Contacts	1500VAC 1min
	Between Open Contacts	1000VAC 1min
	Between Contact Sets	1500VAC 1min
Operate Time (at nominal voltage)	25ms max.	
Release Time (at nominal voltage)	25ms max.	
Ambient Temperature	-40°C to 70°C	
Humidity	95% RH, +40°C	
Vibration Resistance	10Hz to 55Hz 1.5mm DA	
Shock Resistance	Functional	100m/s <sup>2</sup>
	Destructive	1000m/s <sup>2</sup>
Termination (8 Pin)	PCB, Plug-In	
Unit Weight	Approx. 37.0g	
Construction	Dust Protected	

Nominal Voltage VAC	Puck-Up Voltage VAC	Drop-Out Voltage VAC	Coil Resistance Ω
6	4.8	1.8	12 (1±10%)
12	9.6	3.6	46 (1±10%)
24	19.2	7.2	180 (1±10%)
48	38.4	14.4	780 (1±10%)
110	80.0	30.0	3750 (1±10%)
220	160.0	60.0	12950 (1±10%)
230	176.0	66.0	18790 (1±10%)

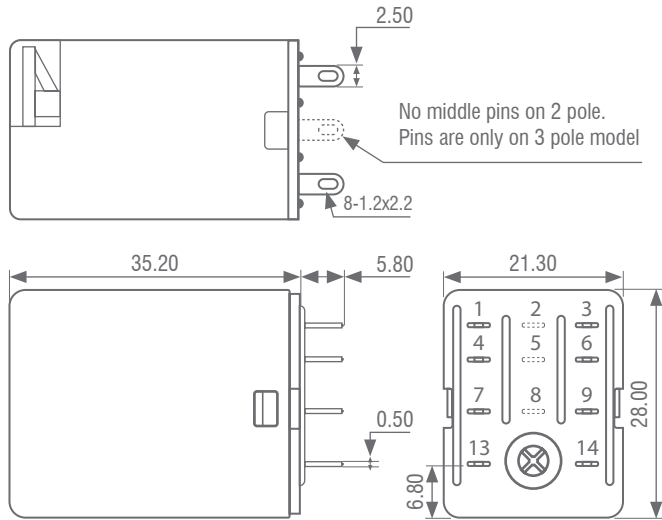
# HYE Series

## Miniature Intermediate Power Relays

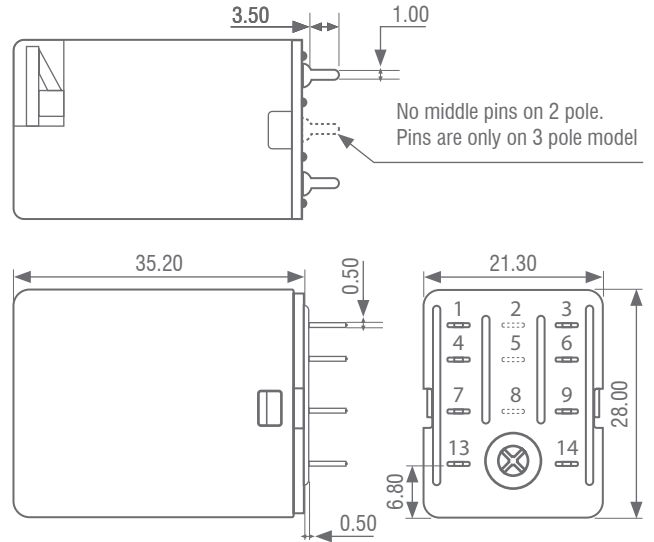


### 2 & 3 Poles

Plug-in

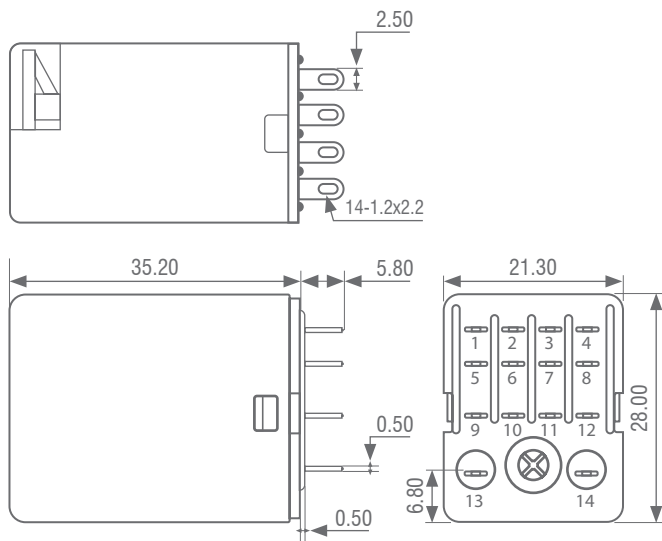


PCB

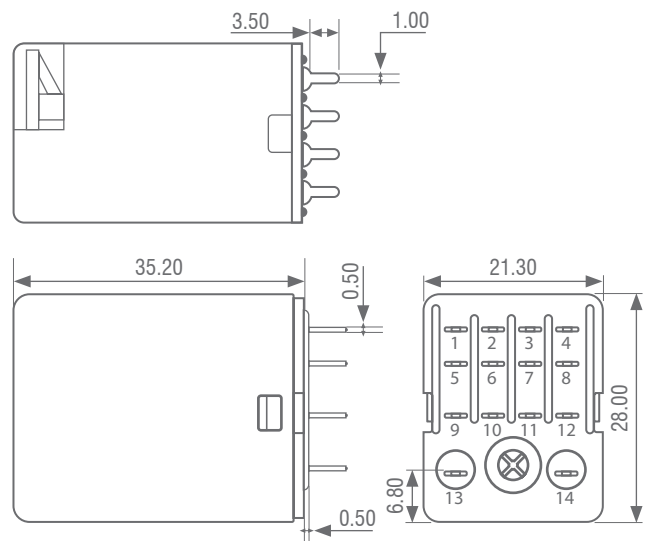


### 4 Poles

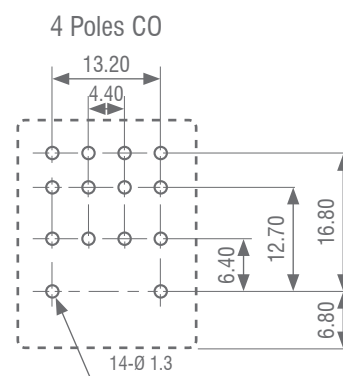
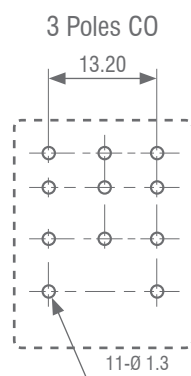
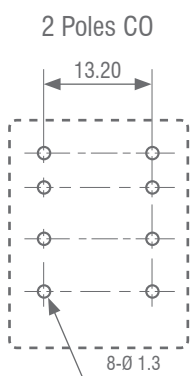
Plug-in



PCB



### PCB Layout



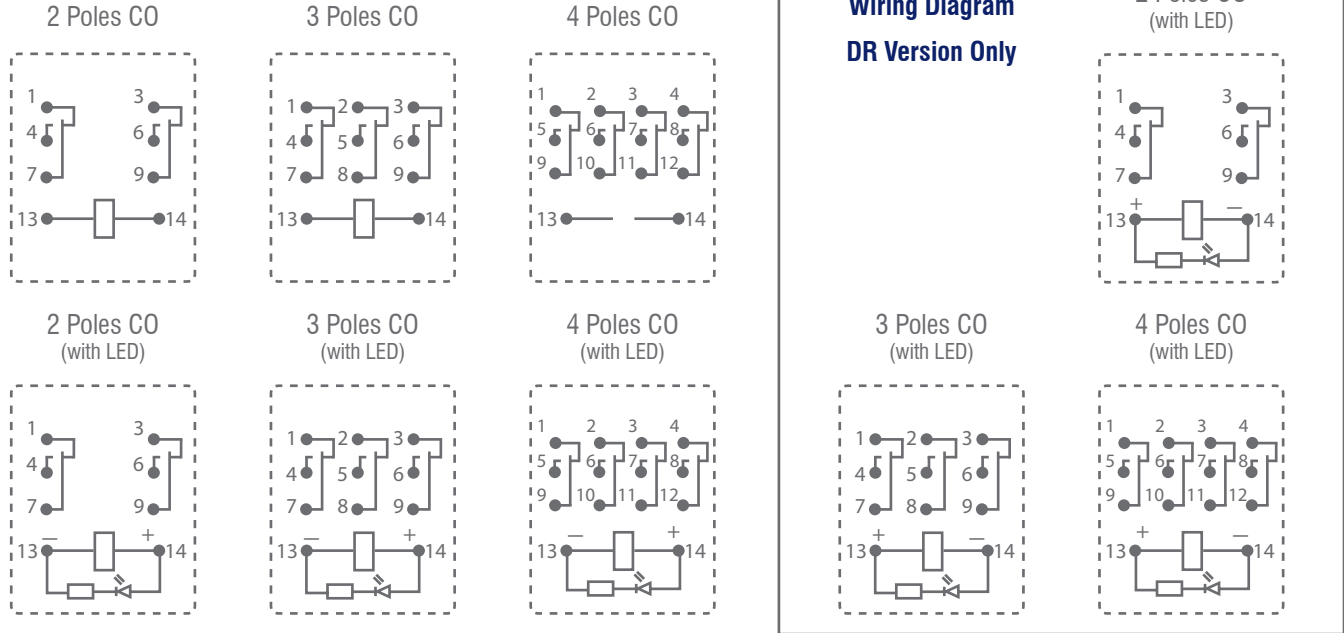
# HYE Series

## Miniature Intermediate Power Relays



Technical Datasheet

### Wiring Diagrams

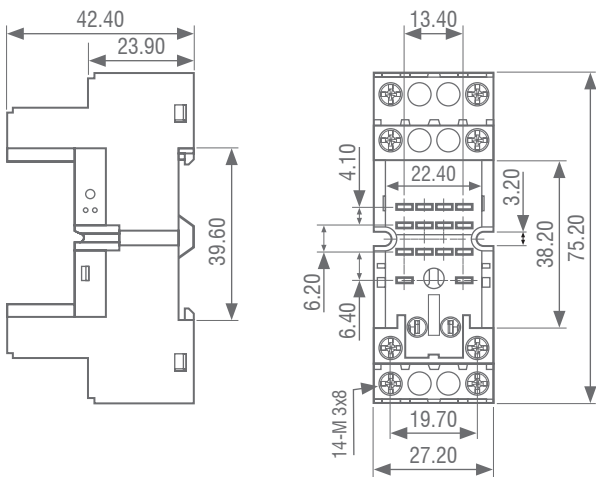


### Bases - Dimensions (mm)

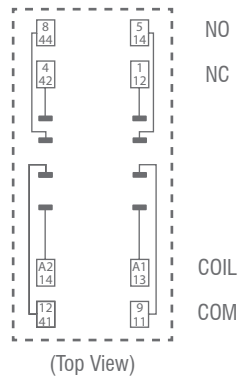
Relay	Base	Nominal Voltage (V)	Nominal Current (A)	Ambient Temperature	Dielectric Strength Min.	Screw Torque (Nm)	Wire Strip Length (mm)
2P	SRNE2-D	300V	10A	-25 to +85°C	2500VAC	0.6	7mm
2P	SRNE2-S	300V	10A	-25 to +85°C	2500VAC	0.6	7mm
3P	SRNE3-C	300V	10A	-25 to +85°C	2500VAC	0.6	7mm
3P	SRNE3-D	300V	10A	-25 to +85°C	2500VAC	0.6	7mm
4P	SRPE4-O	300V	10A	-25 to +85°C	2500VAC	n/a	n/a
4P	SRNE4-C	300V	10A	-25 to +85°C	2500VAC	0.6	7mm
4P	SRNE4-D	300V	10A	-25 to +85°C	2500VAC	0.6	7mm
4P	SRNE4-S	300V	10A	-25 to +85°C	2500VAC	0.6	7mm

### SRNE2-D

Plastic retainer provided



### Wiring Diagram



### Accessory

Metallic retainer RCE4-N  
Marker - SRN-BM-1  
Plug-in modules PDME1 to RPDME1

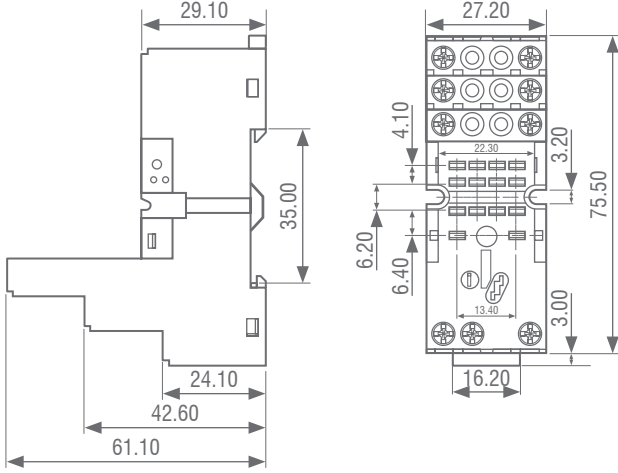
# HYE Series

## Miniature Intermediate Power Relays

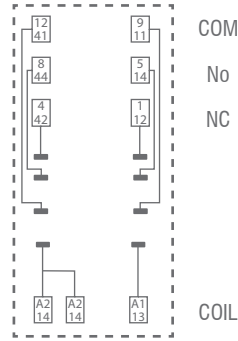


### SRNE2-S

Plastic retainer provided



### Wiring Diagram



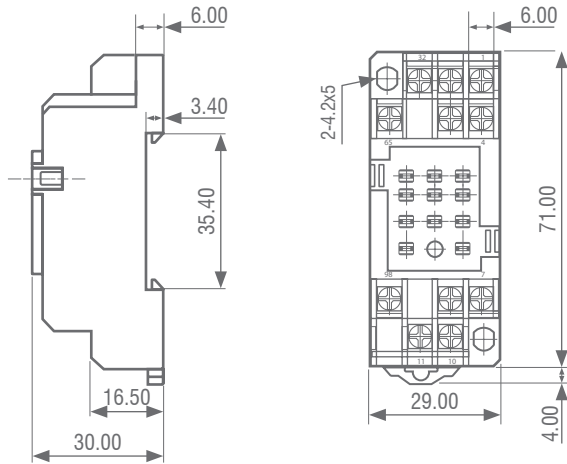
(Top View)



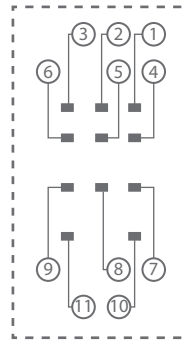
### Accessory

Metallic retainer RCE4-N  
Marker - SRN-BM-1  
Plug-in modules PDME1 to RPDME1

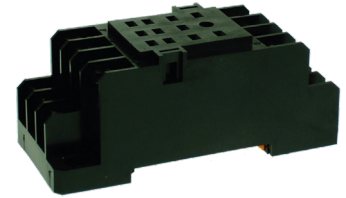
### SRNE3-C



### Wiring Diagram

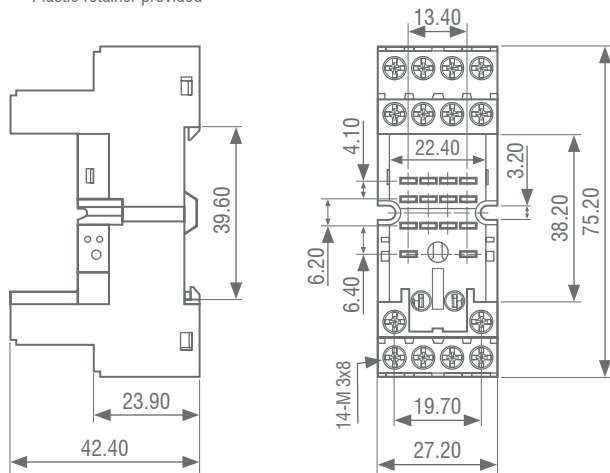


(Top View)

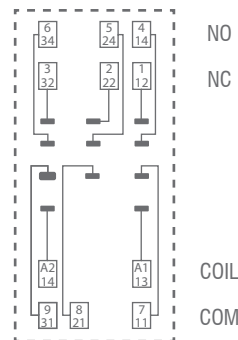


### SRNE3-D

Plastic retainer provided



### Wiring Diagram



(Top View)



### Accessory

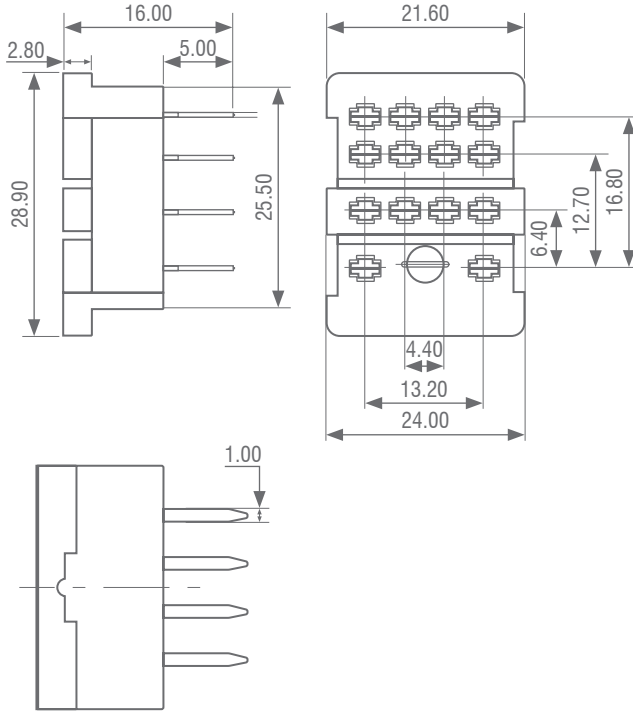
Metallic retainer RCE4-N  
Marker - SRN-BM-1  
Plug-in modules PDME1 to RPDME1

# HYE Series

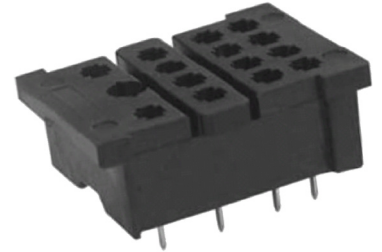
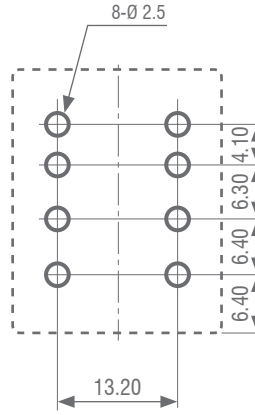
## Miniature Intermediate Power Relays

### SRPE4-0

Metallic retainer provided

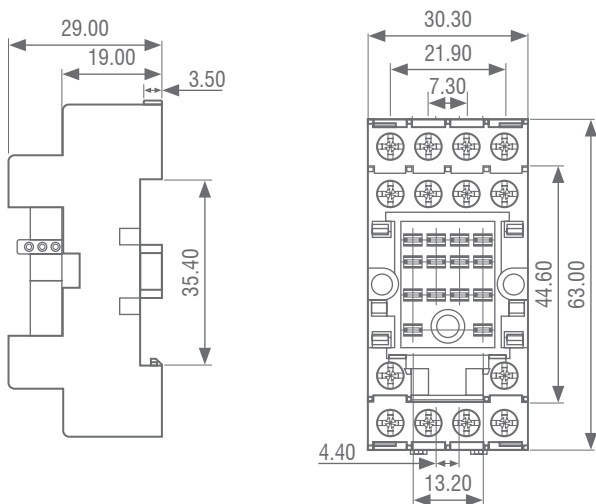


### PCB Layout

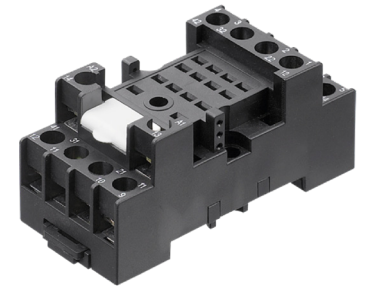
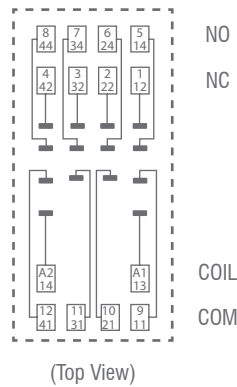


**Accessory**  
Metallic retainer SRC-CLIP

### SRNE4-C



### Wiring Diagram



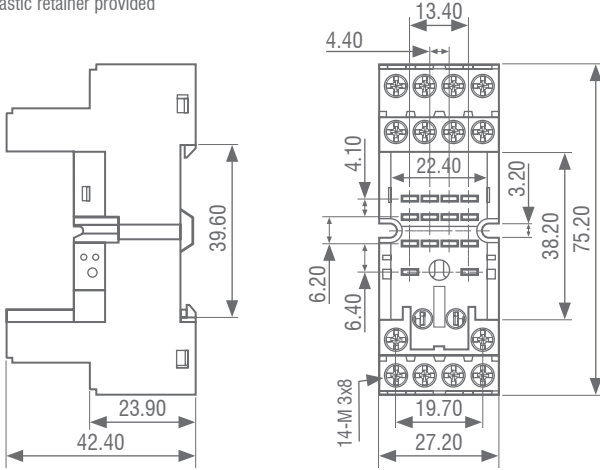
**Accessory**  
Metallic retainer RCE4-N

# HYE Series

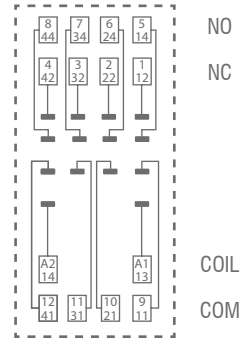
## Miniature Intermediate Power Relays

### SRNE4-D

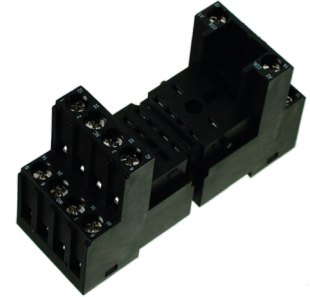
Plastic retainer provided



### Wiring Diagram



(Top View)

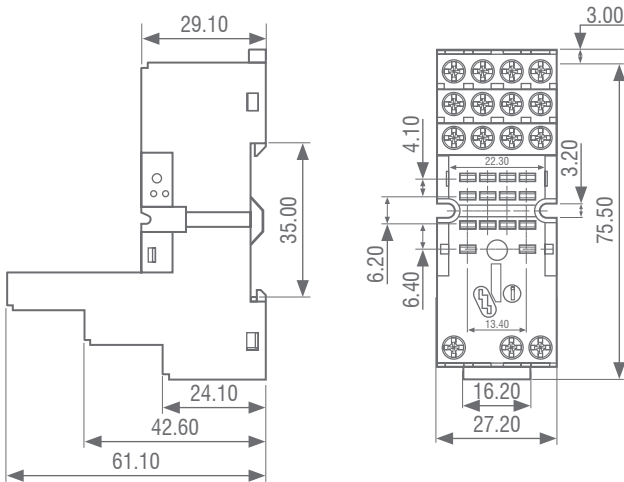


### Accessory

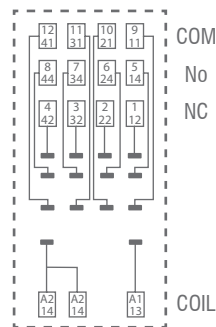
Metallic retainer RCE4-N  
 Marker - SRN-BM-1  
 Plug-in modules PDME1 to RPDME1

### SRNE4-S

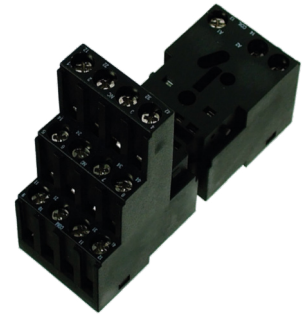
Plastic retainer provided



### Wiring Diagram



(Top View)



### Accessory

Metallic retainer RCE4-N  
 Marker - SRN-BM-1  
 Plug-in modules PDME1 to RPDME1

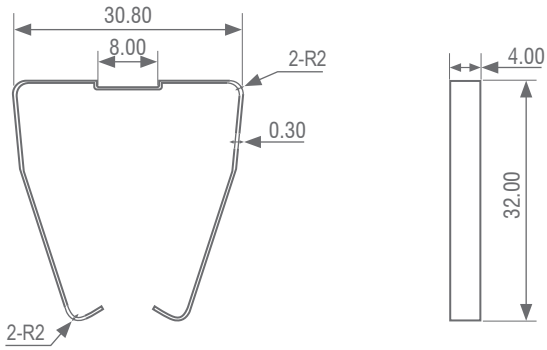
# HYE Series

## Miniature Intermediate Power Relays

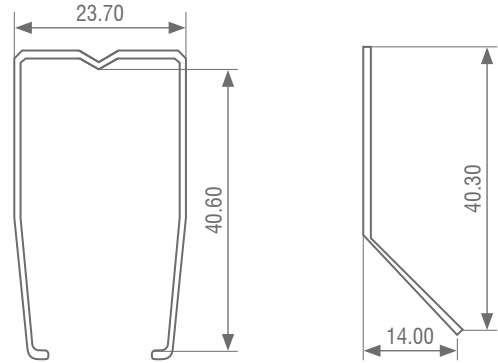
### DIMENSIONS OF RELATED COMPONENT

#### Retainers

SRC-CLIP



RCE4-N



#### Markers

SRN-BM-1

