

# V15000/V100000-EN1090

## MOUNTING KIT for COMPRESSION-LOW PROFILE load cells

LAUMAS®

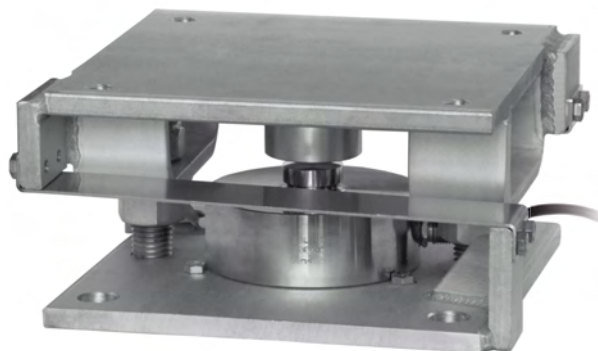
Series load cells: **CBL - CBX**

EN  
1090

Up to 100000 kg application range

### DESCRIPTION

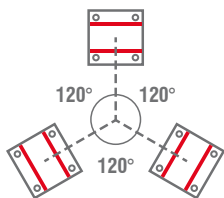
- AISI 304 stainless steel upper and lower plates.
- AISI 304 stainless steel laminas against lateral forces.
- Anti-tilt constraint consisting of two threaded rods with self-locking nut.



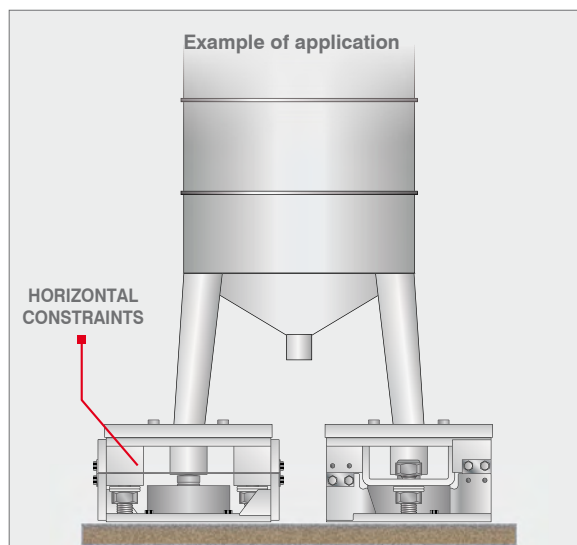
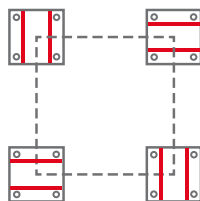
MAX STATIC LOAD kg	EN 1090	FOR LOAD CELLS	NET WEIGHT (kg)	CODE
30000	–	CBL (15000 kg) - CBX (30000 kg)	9	V15000
50000	–	CBL (30000 kg) - CBX (50000 kg)	17.5	V30000
100000	–	CBL (50000 kg) - CBL (100000 kg)	33.5	V100000
30000	•	CBL (15000 kg) - CBX (30000 kg)	9	V15000EN1090
50000	•	CBL (30000 kg) - CBX (50000 kg)	17.5	V30000EN1090
100000	•	CBL (50000 kg) - CBL (100000 kg)	33.5	V100000EN1090

Load cell not included.

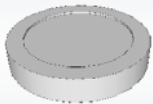


HORIZONTAL CONSTRAINTS  
ORIENTATION  
IN STRUCTURES WITH  
3-POINTS SUPPORT



HORIZONTAL CONSTRAINTS  
ORIENTATION  
IN STRUCTURES WITH  
4-POINTS SUPPORT



### COMPLEMENTARY ACCESSORIES

	DESCRIPTION	CODE
	AISI 304 stainless steel adapter: V15000/V15000EN1090 for load cells Ø82 mm V30000/V30000EN1090 for load cells Ø100 mm V100000/V100000EN1090 for load cells Ø126 mm	ADAT100CBX15T ADAT126CBX30T ADAT165CBX50T
	Galvanized steel turnbuckle with dual ball-and-socket. Net weight: 2.10 kg Working load: 2500 kg Ultimate overload: 10000 kg	TENDITORE300
	Galvanized steel anchor plate for TENDITORE300 Net weight: 1.5 kg	PTEND

Rev. 0.0

# V15000/V100000-EN1090

## MOUNTING KIT for COMPRESSION-LOW PROFILE load cells

LAUMAS®

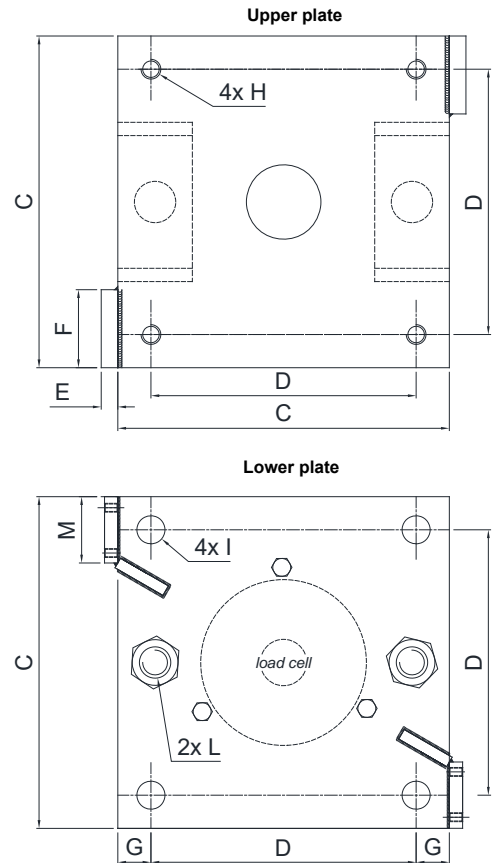
### DIMENSIONS AND TECHNICAL SPECIFICATIONS

Upper and lower plates **2** must rest completely on not deformable surfaces. To ensure the stability of the structure, the system designer must predict any further precaution against side shifts and anti-tilt in function of: knocks and vibrations, wind effect, seismic conditions and hardness of support structure.

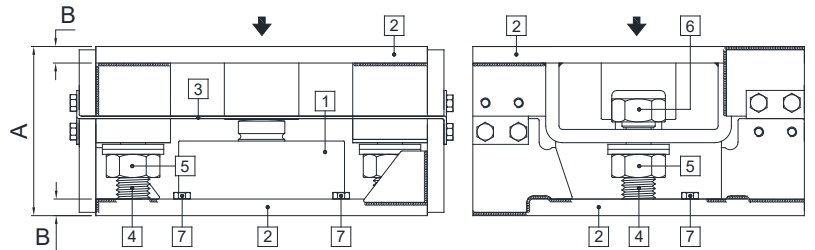
- Install the weighed system using only the mounting kit without the load cell **1** and inserting in its place a piece of pipe (1-2 mm higher than the load cell).
- To finish the installation (weldings, etc..), remove the piece of pipe and then removing the bolts to fix the the load cell **7** insert the load cell **1** in mounting kit.
- Connect lower and upper plates **2** to the earthing system then loosen nuts **5** ; verify that the threaded rod **4** slides into the hole; turn anti-tilt nuts **6** to a distance of 1 mm from plate.
- Tighten the three bolts to fix the load cell **7**.

	A	B	C	D	E	F	G	H	I	L	M	Weight
V15000/V15000EN1090	102	10	200	160	10	47	20	M12x1.75	Ø17	M20x2.5	40	9 kg
V30000/V30000EN1090	132	12	250	185	12	70	32.5	M18x2.5	Ø20	M24x3	60	17 kg
V100000/V100000EN1090	155	15	320	250	15	95	35	M20x2.5	Ø23	M30x3.5	70	34 kg

Dimensions (mm)



- 1** Load cell.
- 2** AISI 304 stainless steel upper and lower plates.
- 3** AISI 304 stainless steel laminas with horizontal constraint function.
- 4** Threaded rod.
- 5** Nut to be used as jack.
- 6** Anti-tilt self-locking nut.
- 7** M6 bolts to fix the load cell.



**Application example:**  
**how to make further horizontal constraints with the TENDITORE300 accessory**

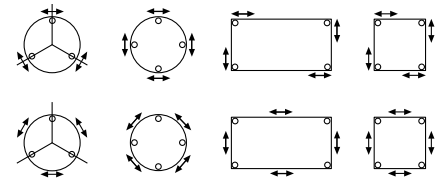
**STRUCTURE WITH 3-POINTS SUPPORT**

1 CONSTRAINT FOR SUPPORT

**STRUCTURE WITH 4-POINTS SUPPORT**

2 CONSTRAINTS FOR SUPPORT

**CONSTRAINTS PLACEMENT ON 3/4 SUPPORTS:**  
the horizontal constraints can be positioned both on supports and on the four sides, centrally between two supports.



Rev. 0.0

The Company reserves the right to make changes to the technical data, drawings and images without notice.